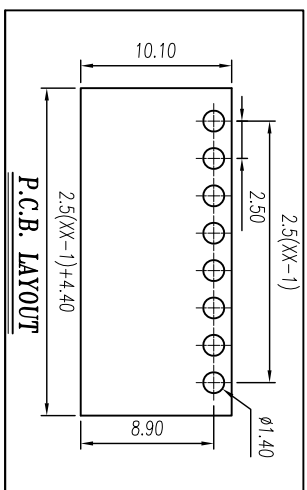
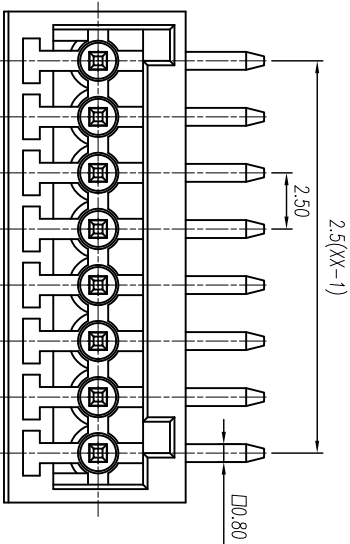
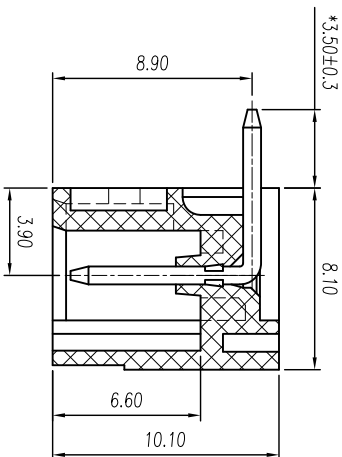
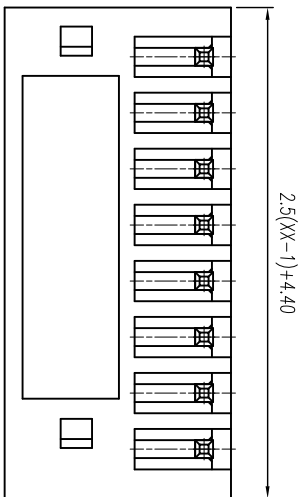




慈溪市万捷电子有限公司 CIXI WANJIE ELECTRONIC CO., LTD

产品规格书
THE SPEC SHEET



尺寸/Dimensions

间距/Pitch

2.5mm

极数/Poles

2~24p

材质及电镀/Material

塑料/Housing

PA66, UL94V-0

焊脚/Pin header

Brass, Tin plated

参考标准/Standard

UL

IEC

额定电压/Rated voltage

150V

250V

额定电流/Rated current

5A

6A

接触电阻/Contact resistance

20mΩ

绝缘电阻/Insulation resistance

500MΩ/DC500V

耐电压/With standing voltage

AC 1250V/1 Min

机械性能/Mechanical

-40°C~+105°C

温度范围/Temp. Range

+250°C 5秒

瞬时温度/Temp. Range

linear dimension(Tolerances Standard GB/T 14486-2008)

tolerance	±0.1	±0.14	±0.19	±0.25	±0.32	±0.43	±0.57	±0.72	±0.88	±1.05	±1.25	0.5	0.025	0.06	0.12	0.4
variable range	6 to	6 to	10 to	18 to	30 to	50 to	80 to	120 to	160 to	200 to	250 to	all	5 to	5 to	30 to	120 to
	over	over	over	over	over	over	over	over	over	over	over		over	over	over	over

第三视图/THIRD ANGLE PROJECTION



单位/UNITS	mm	尺寸/SIZE	A4	比例/SCALE	3:1
名称/TITLE	WJ15EDGR-2.5-XXP-1YY-00A				



慈溪市万捷电子有限公司
CIXI WANJIE ELECTRONIC CO., LTD