



慈溪市万捷电子有限公司

CIXI WANJIE ELECTRONIC CO., LTD

产品规格书
product specification

电气性能/Electrical

参考标准/Standard: UL IEC
 额定电压/Rated voltage: 300V 250V
 额定电流/Rated current: 8A 10A
 接触电阻/Contact resistance: 20m Ω

耐电压/Withstanding voltage: AC2000V/1Min

绝缘电阻/Insulation resistance: 500M Ω /DC500V

机械性能/Mechanical

温度范围/Temp.Range: -40 $^{\circ}$ C $^{+}$ 105 $^{\circ}$ C

瞬间温度/MAX Soldering: +250 $^{\circ}$ C, for 5 Sec

尺寸/Dimensions

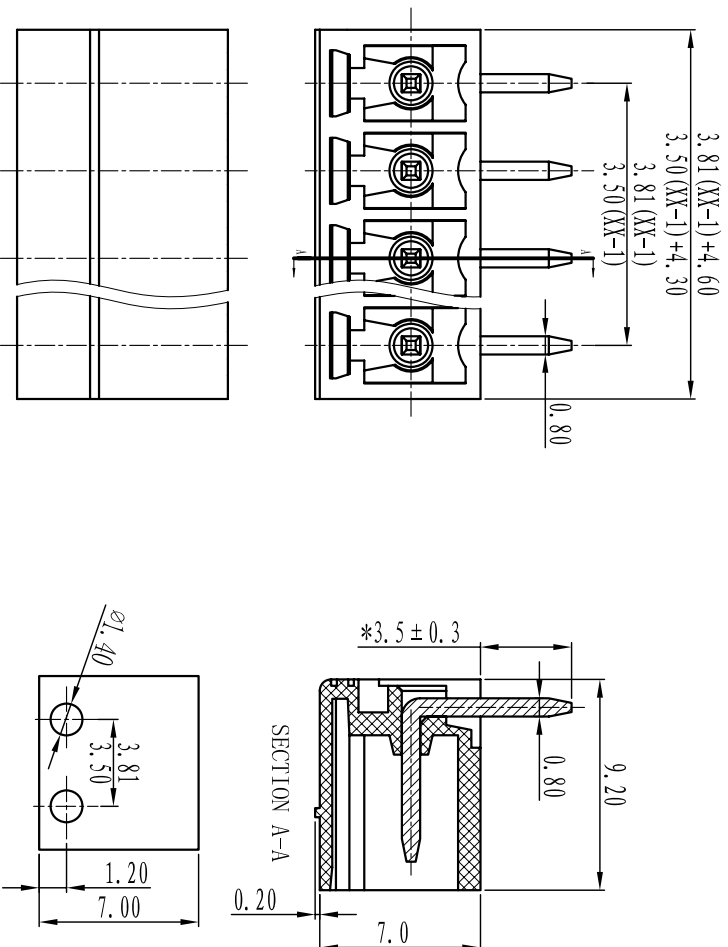
间距/Pitch: 3.81mm/3.50mm

极数/Poles: 2P-24P

材质及电镀/Material

塑件/Housing: PA66, UL94V-0

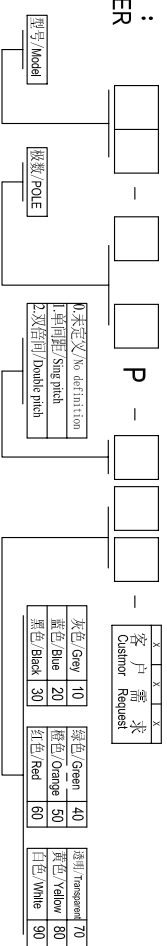
焊针/Pin header: Brass, Tin plated



TOLERANCES EXCEPT AS NOTED

	linear dimension	fillet	chamfer	short angle sid				
variable range	over 6 to 30 over 30 to 120 over 120 to 480	all to 6	over 6 to 10	over 10 to 50 over 50 to 120	all to 5	over 5 to 30 over 30 to 120	over 120 to 120	
tolerance	±0.1 ±0.2 ±0.3 ±0.5	±0.2 ±0.9	±1	10 $^{\circ}$ 20 $^{\circ}$ 10 $^{\circ}$	0.5 0.025	0.06 0.12	0.4	

订购方式: HOW TO ORDER



灰色/Gray	10	棕色/Brown	40	透明/Transparent	70
蓝色/Blue	20	黄色/Yellow	50	黄色/Yellow	80
黑色/Black	30	红色/Red	60	白色/White	90

单位/UNITS mm 尺寸/SIZE A4 比例/SCALE

第一视角/FIRST ANGLE PROJECTION



慈溪市万捷电子有限公司
CIXI WANJIE ELECTRONIC CO., LTD

名称/NAME WJ15EDGR-C-XP-1TY-00A