



慈溪市万捷电子有限公司

CIXI WANJIE ELECTRONIC CO., LTD

产品规格书
product specification

电气性能/Electrical

参考标准/Standard: UL IEC
 额定电压/Rated voltage: 300V 250V
 额定电流/Rated current: 8A 10A
 接触电阻/Contact resistance: 20m Ω

耐电压/Withstanding voltage: AC2000V/1Min

绝缘电阻/Insulation resistance: 500M Ω /DC500V

机械性能/Mechanical

温度范围/Temp.Range: -40 $^{\circ}$ C~+105 $^{\circ}$ C

瞬间温度/MAX Soldering: +250 $^{\circ}$ C, for 5 Sec

尺寸/Dimensions

间距/Pitch: 3.81mm/3.50mm

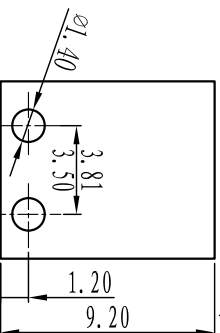
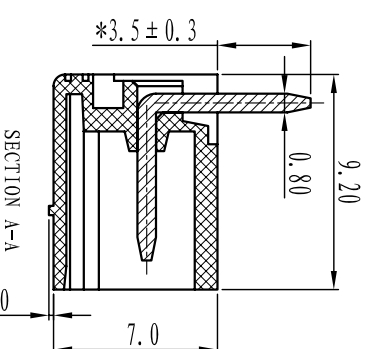
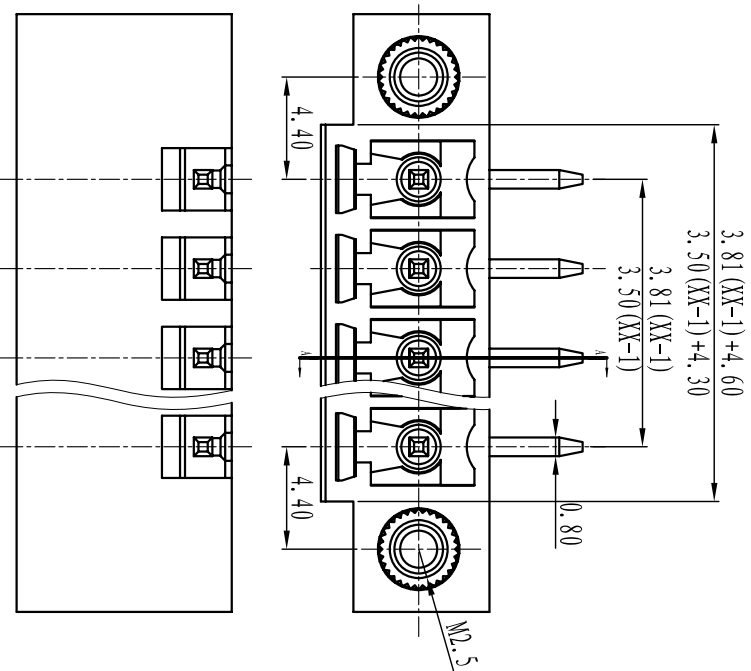
极数/Poles: 2P-24P

材质及电镀/Material

螺母/Nut: M2.5 Brass

焊针/Pin header: Brass, Tin plated

塑件/Housing: PA66, UL94V-0



TOLERANCES EXCEPT AS NOTED

| | linear dimension | fillet | chamfer | short angle sid | | | | |
|----------------|------------------|-----------------|-------------|-----------------|-----------------|-----------|--------------|-----------------|
| variable range | over 6 to 30 | over 120 to 480 | all to 6 | over 10 to 50 | over 120 to 120 | all to 5 | over 5 to 30 | over 120 to 120 |
| tolerance | ±0.1 to 6 | ±0.2 to 30 | ±0.3 to 120 | ±0.5 to 480 | ±0.9 to 480 | ±0.2 to 6 | ±0.5 to 10 | ±1 to 50 |

订购方式:
HOW TO ORDER

型号/Model
 极数/POLE
 P
 客户需求
 未定义/No definition
 单同轴/Single pinch
 双叉轴/Dual pinch

| 颜色/Color | 长度/Length | 颜色/Color | 长度/Length | 颜色/Color | 长度/Length |
|----------|-----------|-----------|-----------|----------------|-----------|
| 灰色/Grey | 10 | 绿色/Green | 40 | 透明/Transparent | 70 |
| 蓝色/Blue | 20 | 橙色/Orange | 50 | 黄色/Yellow | 80 |
| 黑色/Black | 30 | 红色/Red | 60 | 白色/White | 90 |

单位/UNITS mm 尺寸/SIZE A4 比例/SCALE

第一视角/FIRST ANGLE PROJECTION



慈溪市万捷电子有限公司
CIXI WANJIE ELECTRONIC CO., LTD

名称/NAME

WJ13EDGRM-XXP-1Y-00A