



慈溪市万捷电子有限公司

CIXI WANJIE ELECTRONIC CO., LTD

产品规格书
product specification

电气性能/Electrical

参考标准/Standard: UL IEC
 额定电压/Rated voltage: 300V 250V
 额定电流/Rated current: 8A 10A
 接触电阻/Contact resistance: 20m Ω

耐电压/Withstanding voltage: AC2000V/1Min

绝缘电阻/Insulation resistance: 500M Ω /DC500V

机械性能/Mechanical

温度范围/Temp.Range: -40 $^{\circ}$ C $^{+}$ 105 $^{\circ}$ C

瞬间温度/MAX Soldering: +250 $^{\circ}$ C, for 5 Sec

尺寸/Dimensions

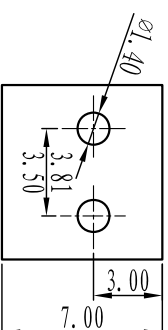
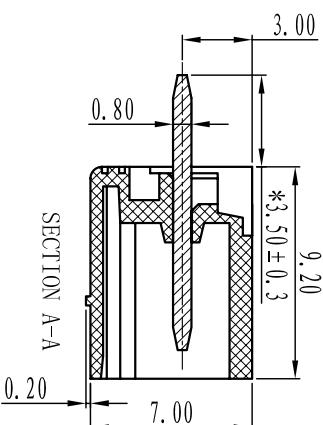
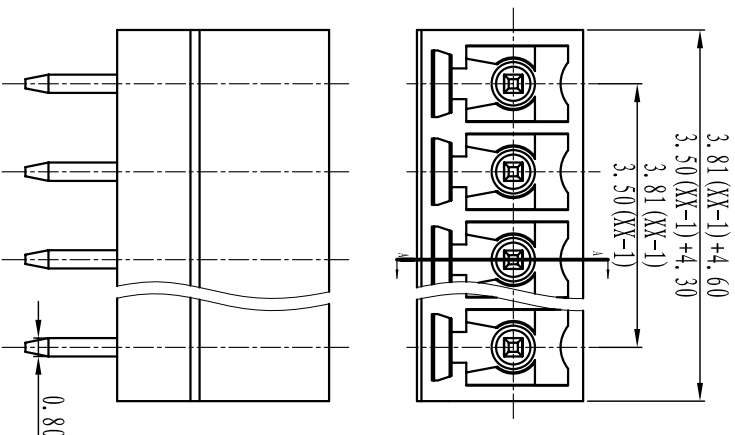
间距/Pitch: 3.81mm/3.50mm

极数/Poles: 2P-24P

材料及电镀/Material

塑件/Housing: PA66, UL94V-0

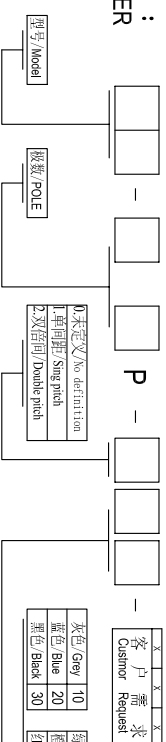
焊针/Pin header: Brass, Tin plated



TOLERANCES EXCEPT AS NOTED

	linear dimension	fillet	chamfer	short angle sid					
variable range	over 6 to 30	over 30 to 120	over 120 to 480	all to 6	over 6 to 10	over 10 to 50	over 50 to 120	all to 5	over 5 to 30
tolerance	±0.1	±0.2	±0.3	±0.5	±0.9	±0.2	±0.5	±1	1 $^{\circ}$

订购方式: HOW TO ORDER



单位/UNITS	尺寸/SIZE	A4	比例/SCALE
----------	---------	----	----------

本色文/No definition	灰色/Grey	10	绿色/Green	40	透明/Transparent	70
上银面镀/Sing pinsh	蓝色/Blue	20	棕色/Orange	50	黄色/Yellow	80
下银面镀/Downe pinsh	黑色/Black	30	红色/Red	60	白色/White	90

第一视角/FIRST ANGLE PROJECTION



慈溪市万捷电子有限公司
CIXI WANJIE ELECTRONIC CO., LTD

名称/NAME WJ15PDC/C-XXP-1Y-00A