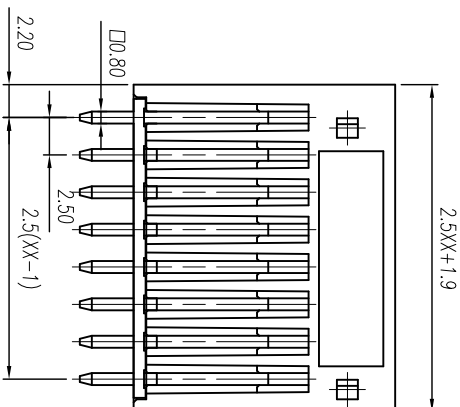
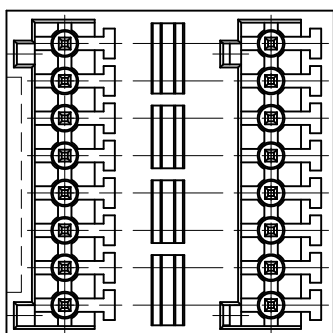
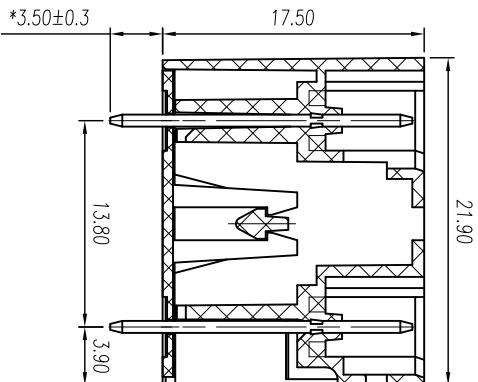
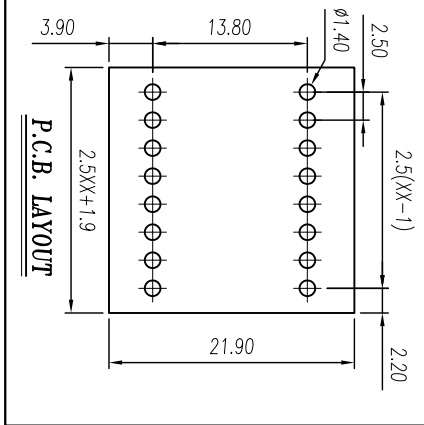




慈溪市万捷电子有限公司 CIXI WANJIE ELECTRONIC CO., LTD

产品规格书
THE SPEC SHEET



参考标准/Standard	UL	IEC
额定电压/Rated voltage	150V	250V
额定电流/Rated current	5A	5A
接触电阻/Contact resistance	20mΩ	
绝缘电阻/Insulation resistance	500MΩ/DC500V	
耐电压/Wrth standing voltage	AC 2000V/1 Min	
机械性能/Mechanical		
温度范围/Temp. Range	-40°C~+105°C	
瞬间温度/Temp. Range	+250°C	5秒
尺寸/Dimensions		
间距/Pitch	2.5mm	
极数/Poles	2*2~2*24p	
材质及电镀/Material	PA66, UL94V-0	
塑件/Housing	Brass, Tin plated	
焊脚/Pin header		

variable range	over 6 to 10	over 10 to 18	over 18 to 30	over 30 to 50	over 50 to 80	over 80 to 120	over 120 to 160	over 160 to 200	over 200 to 250	all to 5	over 5 to 30	over 30 to 120			
	tolerance ±0.1	±0.14	±0.19	±0.25	±0.32	±0.43	±0.57	±0.72	±0.88	±1.05	±1.25	0.5	0.025	0.06	0.12

linear dimension(Tolerances Standard GB/T 14486--2008)

单位/UNITS mm 尺寸/SIZE A4 比例/SCALE 2:1



慈溪市万捷电子有限公司
CIXI WANJIE ELECTRONIC CO., LTD

第三视图/THIRD ANGLE PROJECTION



名称/TITLE WJ5EDGH-2.5*2*XP-1Y-00A