

电气性能/Electrical

参考标准/Standard: UL IEC
 额定电压/Rated voltage: 300V 250V
 额定电流/Rated current: 8A 10A
 接触电阻/Contact resistance: 20mΩ

耐压/Withstanding voltage: AC2000V/1Min

绝缘电阻/Insulation resistance: 500MΩ/DC500V

机械性能/Mechanical

温度范围/Temp.Range: -40°C~+105°C

瞬间温度/MAX Soldering: +250°C, for 5 Sec

尺寸/Dimensions

间距/Pitch: 3.81mm/3.50mm

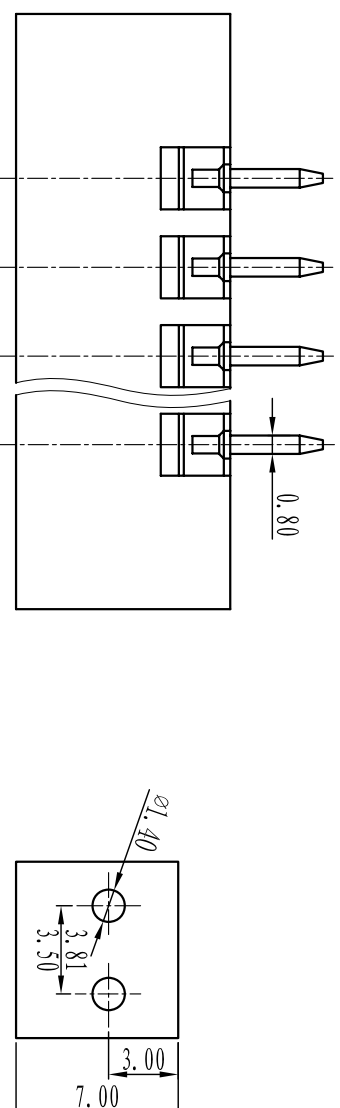
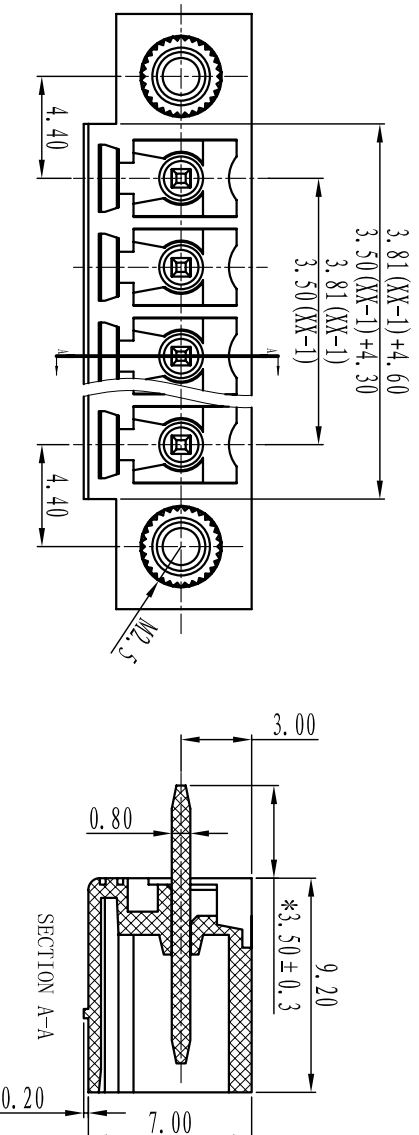
极数/Poles: 2P-24P

材质及电镀/Material

螺母/Nut: M2.5, Brass

焊针/Pin header: Brass, Tin plated

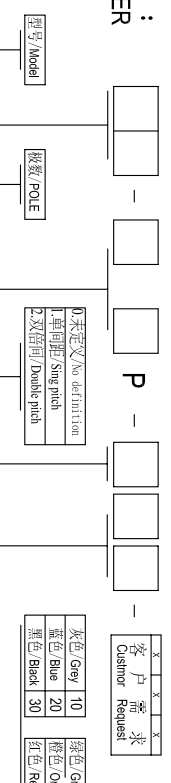
塑件/Housing: PA66, UL94V-0



TOLERANCES EXCEPT AS NOTED

	linear dimension	fillet	chamfer	short angle sid	≡	—	∕	⊥
variable range	over 6 to 6	over 30 to 30	over 120 to 120	over 480 to 480	all to 6	over 6 to 6	over 10 to 10	over 50 to 50
tolerance	±0.1 to ±0.2	±0.3 to ±0.3	±0.5 to ±0.5	±0.9 to ±0.9	±0.2 to ±0.2	±0.5 to ±1	1° to 30°	20° to 10°
	over 6 to 30	over 120 to 480	over 6 to 10	over 50 to 120	all to 5	over 5 to 30	over 30 to 120	over 120 to 120
	±0.1 to ±0.2	±0.3 to ±0.3	±0.5 to ±0.5	±0.9 to ±0.9	±0.2 to ±0.2	±0.5 to ±1	1° to 30°	20° to 10°

订购方式: HOW TO ORDER



颜色/Color	10	20	30	40	50	60	70	80	90
灰色/Gray	10								
蓝色/Blue		20							
黑色/Black			30						
绿色/Green				40					
橙色/Orange					50				
红色/Red						60			
透明/Transparent							70		
黄色/Yellow								80	
白色/White									90

第一视角/FIRST ANGLE PROJECTION



单位/UNITS	尺寸/SIZE	A4	比例/SCALE
mm			



慈溪市万捷电子有限公司
CIXI WANJIE ELECTRONIC CO., LTD

名称/NAME: WJ15ED6WM-XXP-1YY-00A