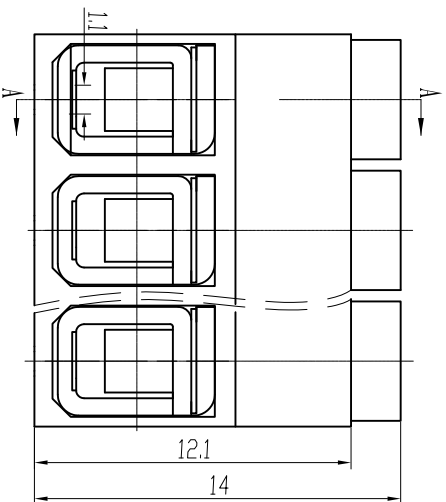
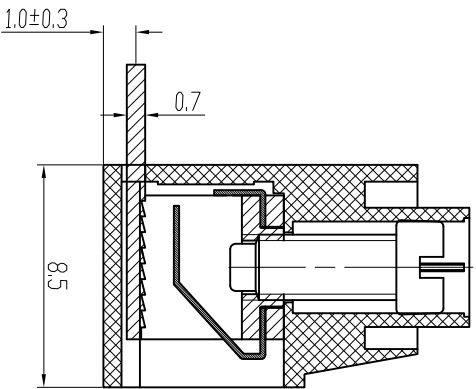
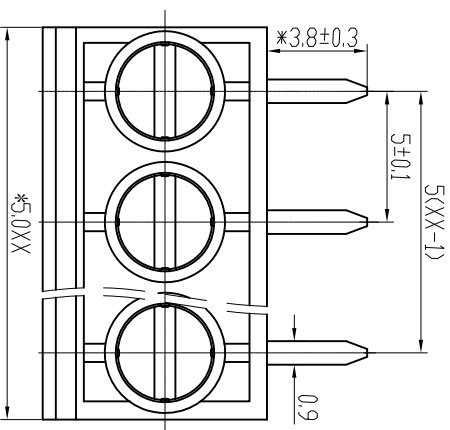
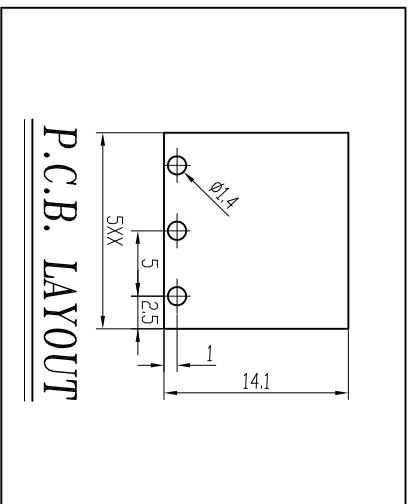




慈溪市万捷电子有限公司 CIXI WANJIE ELECTRONIC CO., LTD

产品规格书
THE SPEC SHEET



variable range	to 6	over 6	to 10	over 10	to 18	over 18	to 30	over 30	to 50	over 50	to 80	over 80	to 120	over 120	to 160	over 160	to 200	over 200	to 250	over 250	all	to 5	over 5	to 30	over 30	to 120	over 120
	tolerance	±0.1	±0.14	±0.19	±0.25	±0.32	±0.43	±0.57	±0.72	±0.88	±1.05	±1.25	0.5	0.025	0.06	0.12	0.4										

linear dimension(Tolerances Standard GB/T 14486-2008)

≡ — □ //

- 参考标准/Standard: UL
- 额定电压/Rated voltage: 300V
- 额定电流/Rated current: 15A
- 接触电阻/Contact resistance: 20mΩ
- 绝缘电阻/Insulation resistance: 500MΩ/DC500V
- 使用线径/Wire range: 22~12AWG
- 耐电压/With standing voltage: AC 2000V/1 Min
- 机械性能/Mechanical: 0.4Nm(3.6lb.in)
- 扭矩/Torque: -40°C~+120°C
- 温度范围/Temp.Range: +250°C, for 5 Sec
- 瞬时温度/MAX Soldering: 6-7mm
- 剥线长度/Strip Length: 5.0mm
- 尺寸/Dimensions: 2~24p
- 间距/Pitch: PA66, UL94V-0
- 极数/Poles: M2.5 Steel Zn plated
- 材质及电镀/Material: Brass, Tin plated
- 塑料/Housing
- 螺丝/Screws
- 焊脚/Pin header

单位/UNITS	mm	尺寸/SIZE	A4	比例/SCALE	7:2
名称/TITLE	第三视图/THIRD ANGLE PROJECTION				
名称/TITLE	WJ167R-5.0-XXP-1YY-00A				

慈溪市万捷电子有限公司
CIXI WANJIE ELECTRONIC CO., LTD