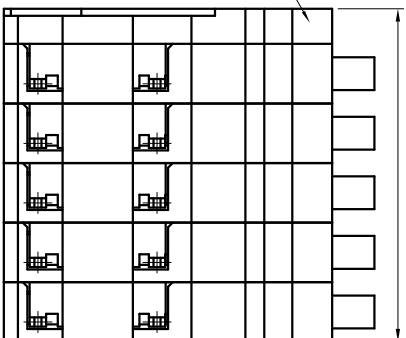
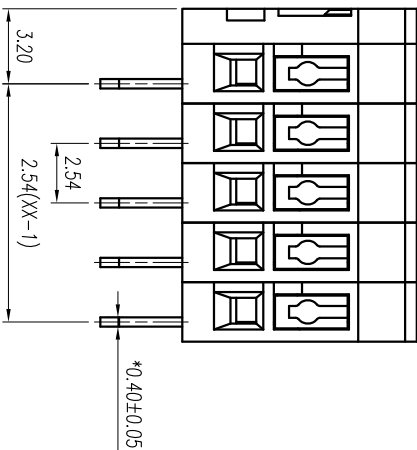
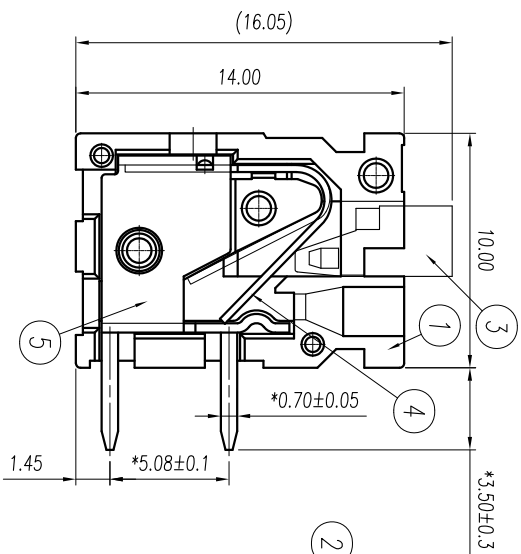
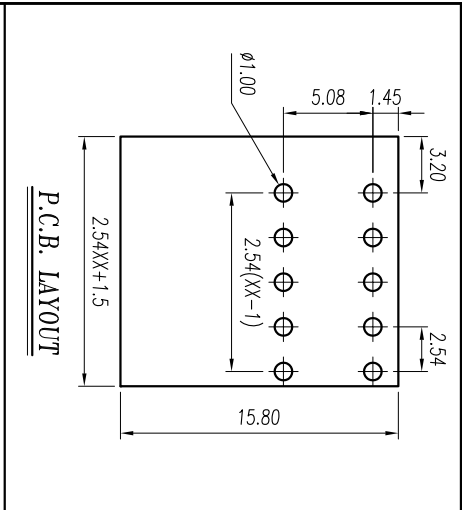




慈溪市万捷电子有限公司 CIXI WANJIE ELECTRONIC CO., LTD

产品规格书
THE SPEC SHEET



参考标准/Standard	UL	IEC
额定电压/Rated voltage	150V	130V
额定电流/Rated current	5A	6A
接触电阻/Contact resistance	20mΩ	
绝缘电阻/Insulation resistance	500MΩ/DC500V	
使用线径/Wire range	26-20AWG	0.5mm ²
耐电压/With standing voltage	AC 1250V/1 Min	
机械性能/Mechanical		
瞬时温度/MAX Soldering	+250°C for 5 Sec	
剥线长度/Strip Length	12mm	
温度范围/Temp Range	-40°C~+105°C	
间距/Pitch	2.54mm	
极数/Poles	1-XXp	
材料及电镀/Material	PA66, UL94V-0	
塑件/Housing	Brass, Tin plated	
焊脚/Pin header	Stainless steel	
弹片/Wire guard		

尺寸/Dimensions

linear dimension(Tolerances Standard GB/T 14486-2008)	≡	—	□	//	⊥
---	---	---	---	----	---

tolerance	±0.1	±0.14	±0.19	±0.25	±0.32	±0.43	±0.57	±0.72	±0.88	±1.05	±1.25	0.5	0.025	0.06	0.12	0.4
variable range	to 6	over 6 to 10	over 10 to 18	over 18 to 30	over 30 to 50	over 50 to 80	over 80 to 120	over 120 to 160	over 160 to 200	over 200 to 250	over 250 to 5	all	to 5	over 5 to 30	over 30 to 120	over 120 to

单位/UNITS	mm	尺寸/SIZE	A4	比例/SCALE	3:1
----------	----	---------	----	----------	-----

名称/TITLE	第三视图/THIRD ANGLE PROJECTION
名称/TITLE	WJ211R-2.54-XXP-1YY-00A

慈溪市万捷电子有限公司
CIXI WANJIE ELECTRONIC CO., LTD

