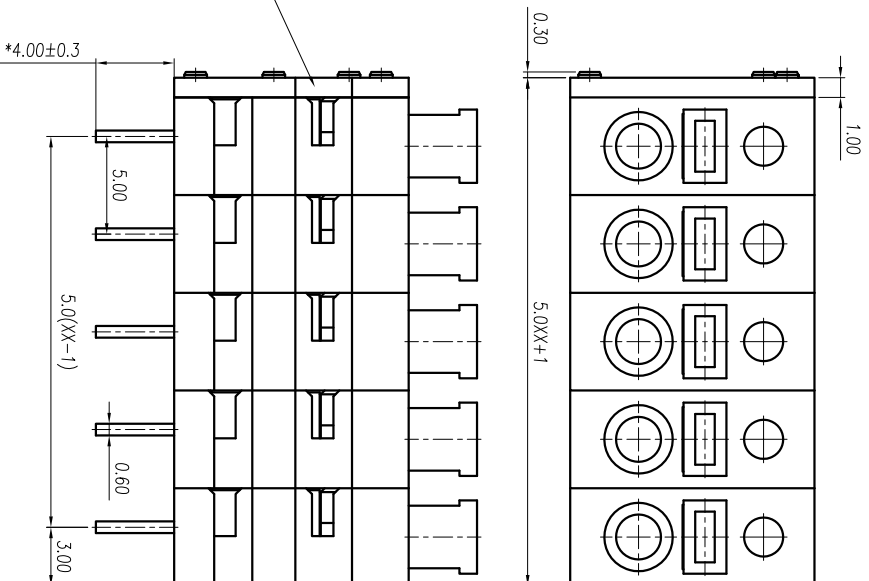
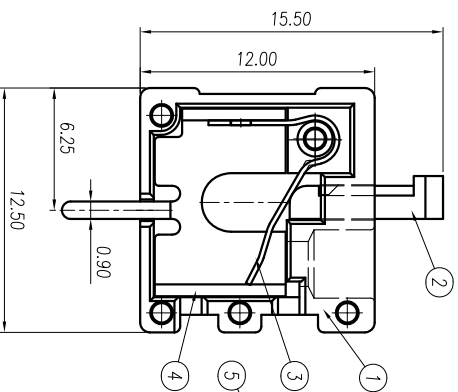
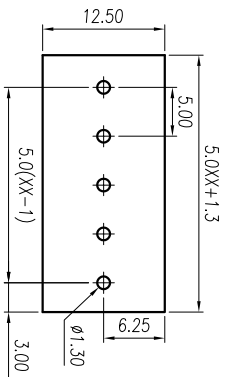




# 慈溪市万捷电子有限公司 CIXI WANJIE ELECTRONIC CO., LTD

产品规格书  
THE SPEC SHEET



	linear dimension(Tolerances Standard GB/T 14486-2008)												≡	—	□	//	⊥
tolerance	±0.1	±0.14	±0.19	±0.25	±0.32	±0.43	±0.57	±0.72	±0.88	±1.05	±1.25	0.5	0.025	0.06	0.12	0.4	
variable range	6 to	6 to	10 to	18 to	30 to	50 to	80 to	120 to	160 to	200 to	250 to	all	5 to	5 to	30 to	120 to	
	over	over	over	over	over	over	over	over	over	over	over		over	over	over	over	

单位 / UNITS	mm	尺寸 / SIZE	A4	比例 / SCALE	4:1
名称 / TITLE	慈溪市万捷电子有限公司 CIXI WANJIE ELECTRONIC CO., LTD				
	第三视图 / THIRD ANGLE PROJECTION				
	WJ211V-5.0-XXP-1YY-00A				

参考标准 / Standard	UL	IEC
额定电压 / Rated voltage	300V	250V
额定电流 / Rated current	10A	15A
接触电阻 / Contact resistance	20mΩ	
绝缘电阻 / Insulation resistance	500MΩ / DC500V	
使用线径 / Wire range	26-14AWG	1.5mm <sup>2</sup>
耐电压 / Wrth standing voltage	AC 2000V/1 Min	
机械性能 / Mechanical		
瞬时温度 / MAX Soldering	+250°C for 5 Sec	
剥线长度 / Strip Length	11mm	
温度范围 / Temp. Range	-40°C~+105°C	
尺寸 / Dimensions		
间距 / Pitch	5mm	
极数 / Poles	1-XXp	
材料及电镀 / Material	PA66, UL94V-0	
塑件 / Housing	Brass, Tin plated	
焊脚 / Pin header	Stainless steel	
弹片 / Wire guard		