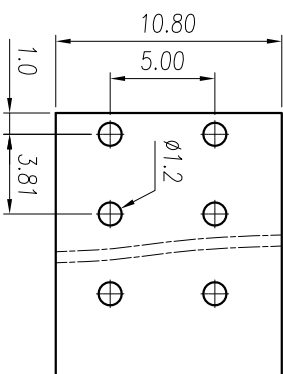
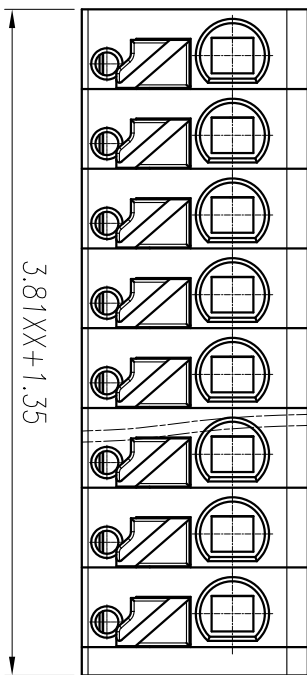


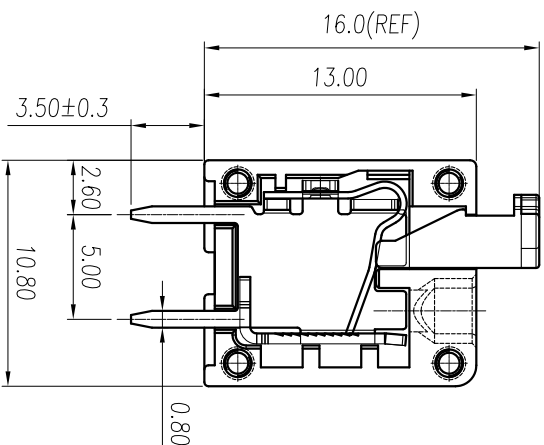
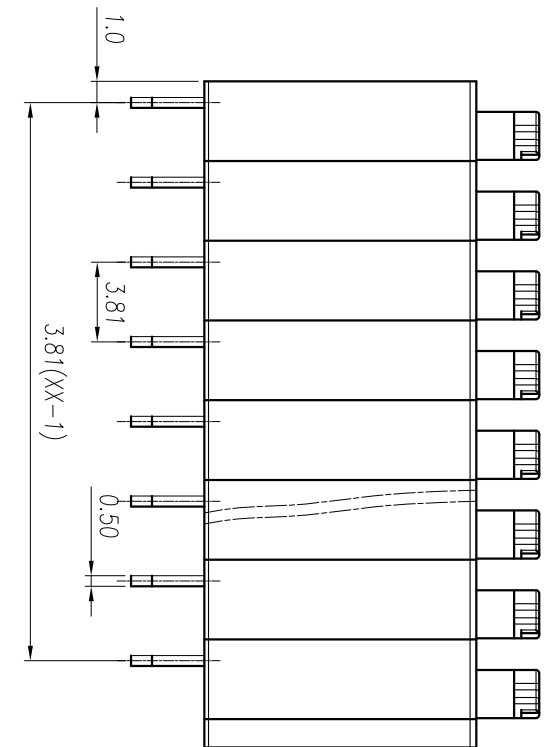
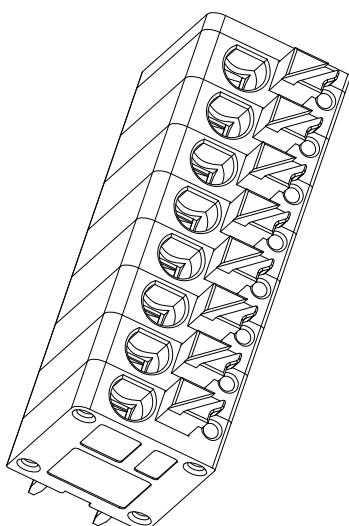


慈溪市万捷电子有限公司 CIXI WANJIE ELECTRONIC CO., LTD

产品规格书
THE SPEC SHEET



P.C.B. LAYOUT



电气性能/Electrical

- 参考标准/Standard: UL IEC
- 额定电压/Rated voltage: 300V 250V
- 额定电流/Rated current: 10A 10A
- 接触电阻/Contact resistance: $20m\Omega$
- 使用线径/Wire range: 20-16AWG 1.0mm²
- 耐电压/Withstanding voltage: AC2000V/1Min
- 绝缘电阻/Insulation resistance: 500M Ω /DC500V
- 机械性能/Mechanical
- 温度范围/Temp. Range: -40 °C+105 °C
- 裂线长度/Strip length: 9-10mm

尺寸/Dimensions

- 间距/Pitch: 3.81mm,
- 极数/Poles: 2P-24P
- 材质及电镀/Material
- 塑件/Housing: PA66, UL94V-0
- 焊针/Pin header: Brass, Tin plated
- 弹片/Strapnel: stainless steel

	linear dimension(Tolerances Standard GB/T 14486-2008)										≡	—	□	//	⊥	
variable range	6 to	over 6 to 10	over 10 to 18	over 18 to 30	over 30 to 50	over 50 to 80	over 80 to 120	over 120 to 160	over 160 to 200	over 200 to 250	over 250 to	all	5 to	over 5 to 30	over 30 to 120	over 120 to
tolerance	±0.1	±0.14	±0.19	±0.25	±0.32	±0.43	±0.57	±0.72	±0.88	±1.05	±1.25	0.5	0.025	0.06	0.12	0.4



慈溪市万捷电子有限公司
CIXI WANJIE ELECTRONIC CO., LTD

单位/UNITS: mm 尺寸/SIZE: A4 比例/SCALE: 3:1

第三视图/THIRD ANGLE PROJECTION



名称/TITLE: WJ236-3.81-XP-1Y-00A