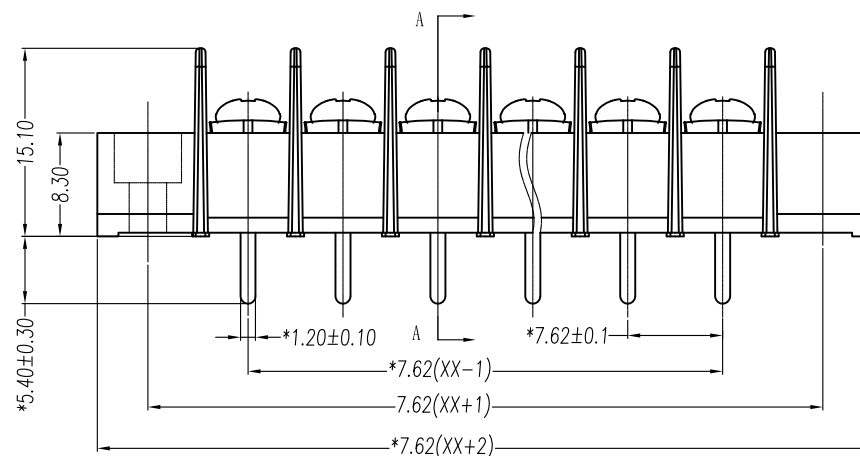
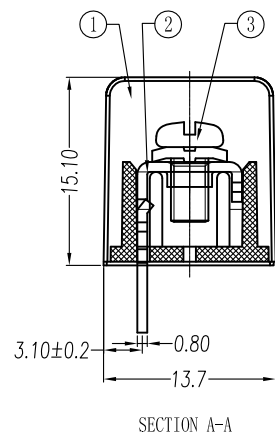
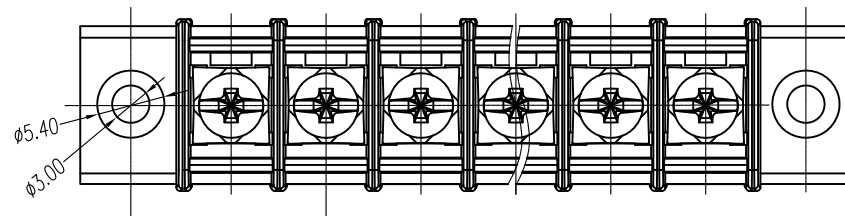
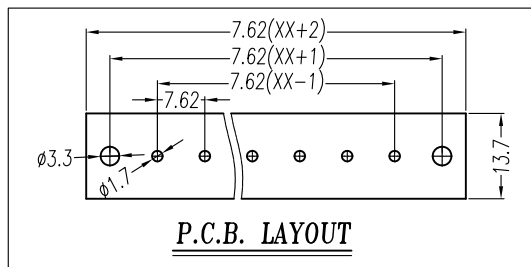




慈溪市万捷电子有限公司

CIXI WANJIE ELECTRONIC CO., LTD

产品规格书
THE SPEC SHEET



电气性能/Electrical

| | | |
|----------------------------|----------------|--------------------|
| 参考标准/Standard | UL | IEC |
| 额定电压/Rated voltage | 300V | 450V |
| 额定电流/Rated current | 15A | 17.5A |
| 接触电阻/Contact resistance | 20mΩ | |
| 绝缘电阻/Insulation resistance | 500MΩ/DC500V | |
| 使用线径/Wire range | 22~14AWG | 1.5mm ² |
| 耐电压/Wrth standing voltage | AC 2000V/1 Min | |

机械性能/Mechanical

| | |
|--------------------|-------------------|
| 扭矩/Torque | 0.5Nm(4.5Lb.in) |
| 温度范围/Temp.Range | -40°C~+105°C |
| 瞬时温度/MAX Soldering | +250°C, for 5 Sec |

尺寸/Dimensions

| | |
|----------|--------|
| 间距/Pitch | 7.62mm |
| 极数/Poles | 2~24p |

材质及电镀/Material

| | |
|---------------|-----------------------|
| 塑件/Housing | PA66, UL94V-0 |
| 螺丝/Screws | M3.0 Steel Ni plated |
| 焊脚/Pin header | Brass 0.8t Tin plated |

| linear dimension(Tolerances Standard GB/T 14486-2008) | | | | | | | | | | | ≡ | — | □ | // | ⊥ | |
|---|------|--------------|---------------|---------------|---------------|---------------|----------------|-----------------|-----------------|-----------------|-------|------|--------------|----------------|-------------|-----|
| variable range | to 6 | over 6 to 10 | over 10 to 18 | over 18 to 30 | over 30 to 50 | over 50 to 80 | over 80 to 120 | over 120 to 160 | over 160 to 200 | over 200 to 250 | all | to 5 | over 5 to 30 | over 30 to 120 | over 120 to | |
| tolerance | ±0.1 | ±0.14 | ±0.19 | ±0.25 | ±0.32 | ±0.43 | ±0.57 | ±0.72 | ±0.88 | ±1.05 | ±1.25 | 0.5 | 0.025 | 0.06 | 0.12 | 0.4 |

| | | | | | | |
|--|----|---------|----|----------|-----|-----------------------------|
| 单位/UNITS | mm | 尺寸/SIZE | A4 | 比例/SCALE | 5:3 | 第三视角/THIRD ANGLE PROJECTION |
| | | | | | | 名称/TITLE |
| 慈溪市万捷电子有限公司 CIXI WANJIE ELECTRONIC CO., LTD | | | | | | WJ25SM-XXP-1YY-00A |