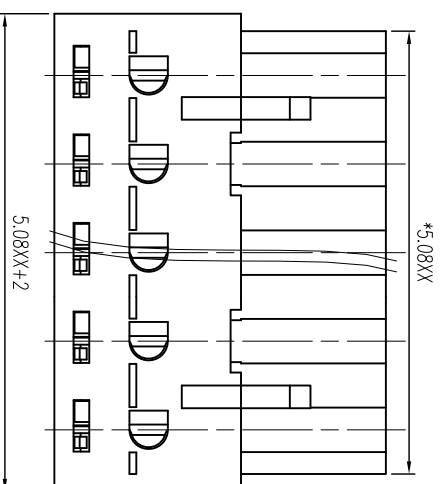
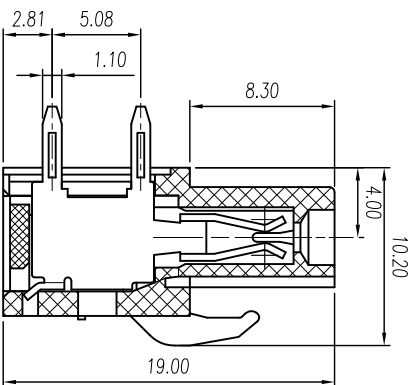
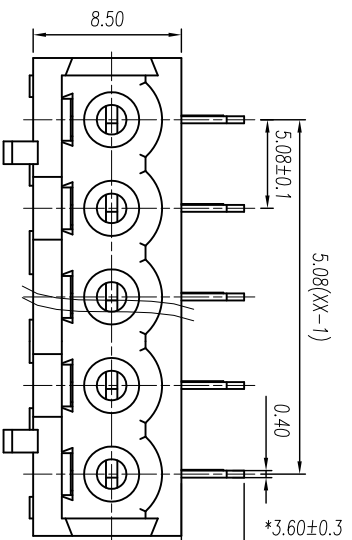
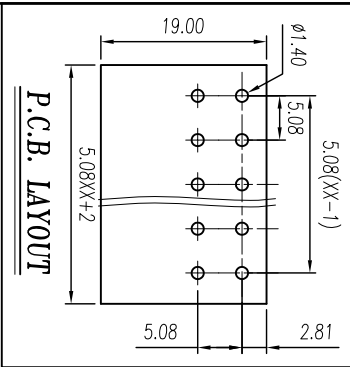




慈溪市万捷电子有限公司 CIXI WANJIE ELECTRONIC CO., LTD

产品规格书
THE SPEC SHEET



variable range	over 6	over 10	over 18	over 30	over 50	over 80	over 120	over 160	over 200	over 250	all	0.5	0.025	0.06	0.12	0.4
	to 6	to 10	to 18	to 30	to 50	to 80	to 120	to 160	to 200	to 250						
tolerance	±0.1	±0.14	±0.19	±0.25	±0.32	±0.43	±0.57	±0.72	±0.88	±1.05	±1.25					

linear dimension (Tolerances Standard GB/T 14486-2008)

≡ — □ //

单位 / UNITS mm 尺寸 / SIZE A4 比例 / SCALE 7:3

第三视图 THIRD ANGLE PROJECTION



慈溪市万捷电子有限公司
CIXI WANJIE ELECTRONIC CO., LTD

名称 / TITLE WJ2EDGA-5.08-XXP-1YY-00A



参考标准 / Standard	UL	IEC
额定电压 / Rated voltage	300V	450V
额定电流 / Rated current	15A	17.5A
接触电阻 / Contact resistance	20mΩ	
绝缘电阻 / Insulation resistance	500MΩ / DC500V	
耐电压 / Wrth standing voltage	AC 2000V/1 Min	
机械性能 / Mechanical	-40°C~+105°C	
温度范围 / Temp. Range	+250°C, for 5 Sec	
瞬时温度 / MAX Soldering		
尺寸 / Dimensions	5.08mm	
间距 / Pitch	2~24p	
极数 / Poles	PA66, UL94V-0	
材质及电镀 / Material	Phosphor bronze, Tin plated	
塑件 / Housing		
夹子 / Clamp		