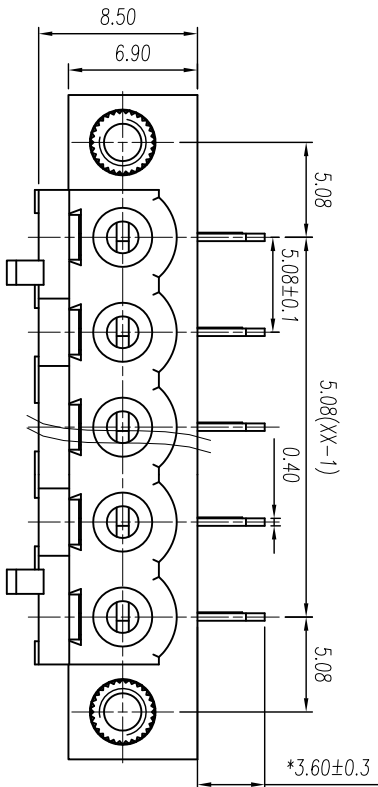
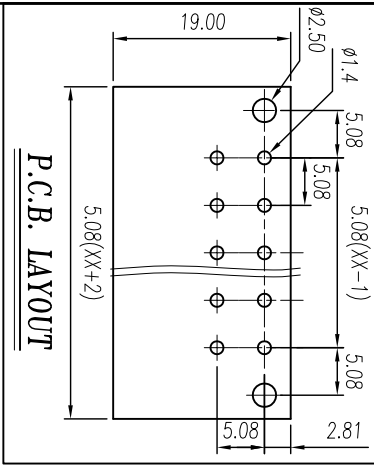




# 慈溪市万捷电子有限公司

## CIXI WANJIE ELECTRONIC CO., LTD

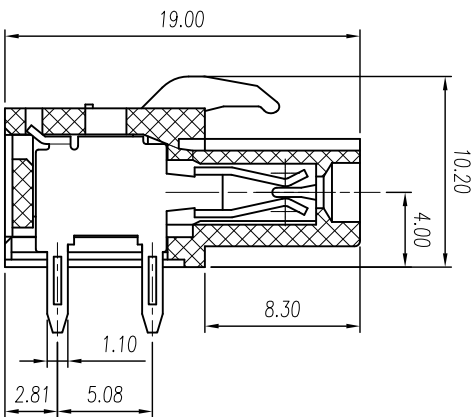
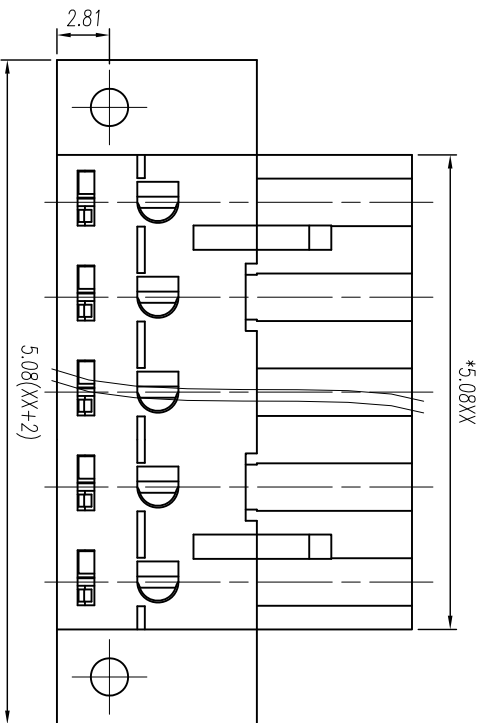
产品规格书  
THE SPEC SHEET



参考标准/Standard  
 额定电压/Rated voltage  
 额定电流/Rated current  
 接触电阻/Contact resistance  
 绝缘电阻/Insulation resistance  
 耐电压/With standing voltage  
 机械性能/Mechanical  
 温度范围/Temp.Range  
 瞬时温度/MAX Soldering  
 尺寸/Dimensions  
 间距/Pitch  
 极数/Poles  
 材料及电镀/Material  
 塑料/Housing  
 夹子/Clamp  
 螺母/Nut

UL  
 300V  
 15A  
 20mΩ  
 500MΩ/DC500V  
 AC 2000V/1 Min  
 -40°C~+105°C  
 +250°C, for 5 Sec

5.08mm  
 2-24p  
 PA66, UL94V-0  
 Phosphor bronze, Tin plated  
 M2.5, Brass



variable range	tolerance	linear dimension(Tolerances Standard GB/T 14486--2008)	≡	—	□	//	⊥
6 to 10	±0.1	6 over to 10 over	±0.14	18 over to 30 over	±0.19	50 over to 80 over	±0.43
10 to 18	±0.14	10 over to 18 over	±0.25	30 over to 50 over	±0.32	80 over to 120 over	±0.57
18 to 30	±0.19	18 over to 30 over	±0.43	50 over to 80 over	±0.72	120 over to 160 over	±0.88
30 to 50	±0.25	30 over to 50 over	±0.57	80 over to 120 over	±1.05	160 over to 200 over	±1.25
50 to 80	±0.32	50 over to 80 over	±0.72	120 over to 160 over	±1.05	200 over to 250 over	0.5
80 to 120	±0.43	80 over to 120 over	±1.05	160 over to 200 over	±1.25	all	0.025
120 to 160	±0.57	120 over to 160 over	0.5	200 over to 250 over	0.025	5 to 5	0.06
160 to 200	±0.72	160 over to 200 over	0.025	250 over to 250 over	0.06	5 to 5	0.12
200 to 250	±0.88	200 over to 250 over	0.06	250 over to 250 over	0.12	5 to 5	0.4
250 to 250	±1.05	250 over to 250 over	0.12	250 over to 250 over	0.4	5 to 5	

单位/UNITS mm 尺寸/SIZE A4 比例/SCALE 3:1

名称/TITLE WJZJENGAM-5.08-XXP-1YY-00A

第三视图/THIRD ANGLE PROJECTION

