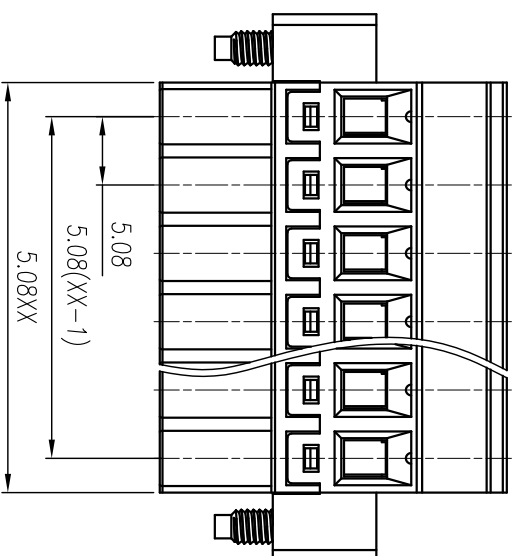
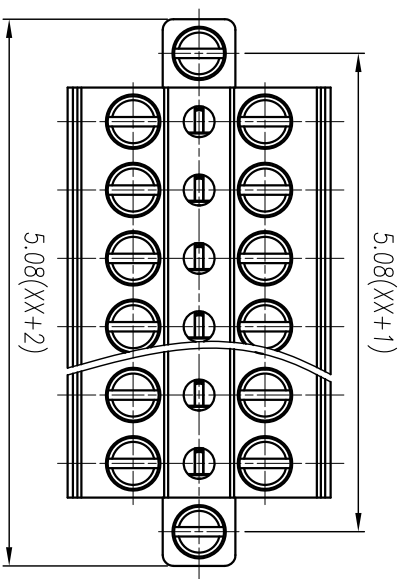
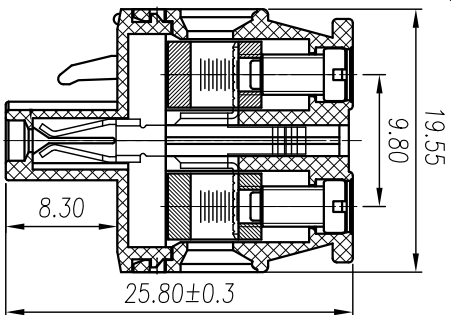
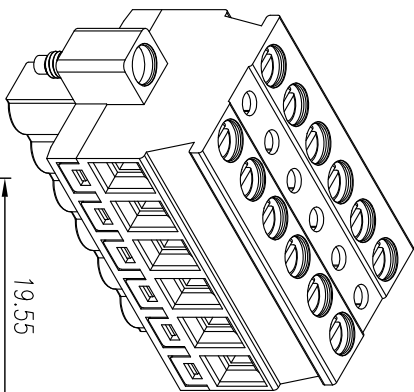


慈溪市万捷电子有限公司 CIXI WANJIE ELECTRONIC CO., LTD

产品规格书
THE SPEC SHEET



参考标准/Standard	UL	IEC
额定电压/Rated voltage	300V	450V
额定电流/Rated current	15A	20A
接触电阻/Contact resistance	20mΩ	
绝缘电阻/Insulation resistance	500MΩ/D.C.500V	
使用线径/Wire range	28-12AWG	2.5mm ²
耐压/Wth standing voltage	AC 2000V/1 Min	
机械性能/Mechanical		
扭矩/Torque	0.5Nm(4.5Lb.in)	
剥线长度/Strip Length	7.8mm	
温度范围/Temp.Range	-40°C~+105°C	
瞬时温度/MAX Soldering	+250°C, for 5 Sec	
尺寸/Dimensions		
间距/Pitch	5.08mm	
极数/Poles	2~24p	
材质及电镀/Material	PA66, UL94V-0	
塑件/Housing	M3, Steel, Zn plated	
螺丝/Screws	Copper alloy, Sn plated	
夹子/Clamp	Copper alloy, Ni plated	
方块/Cage		

linear dimension(Tolerances Standard GB/T 14486-2008)

tolerance	±0.1	±0.14	±0.19	±0.25	±0.32	±0.45	±0.57	±0.72	±0.88	±1.05	±1.25	0.5	0.025	0.06	0.12	0.4
Variable range	6 to	6 to	10 to	18 to	30 to	50 to	80 to	120 to	160 to	200 to	250 to	all	5 to	5 to	30 to	120 to
over	6	10	18	30	50	80	120	160	200	250			5	30	120	

单位 / UNITS mm 尺寸 / SIZE A4 比例 / SCALE 9:5



慈溪市万捷电子有限公司
CIXI WANJIE ELECTRONIC CO., LTD

第三视角 / THIRD ANGLE PROJECTION



名称 / TITLE WJ2EDG/A/H/L-5.08-XXP-1YY-004