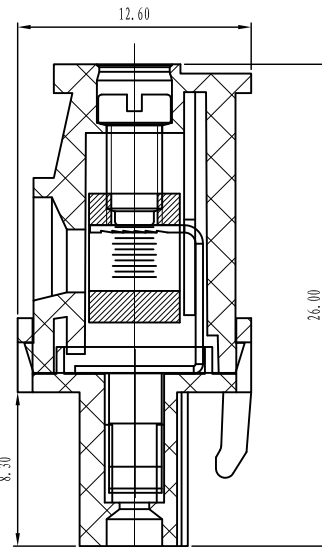
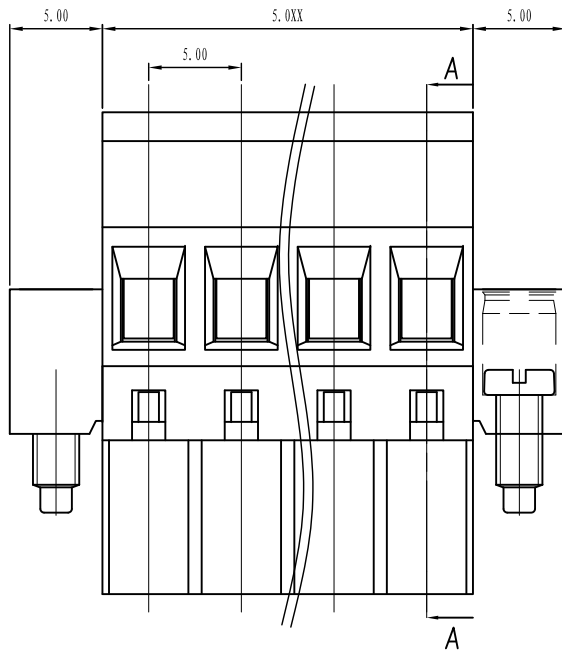
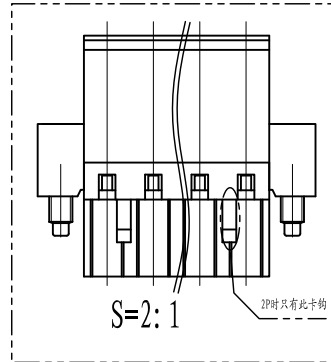
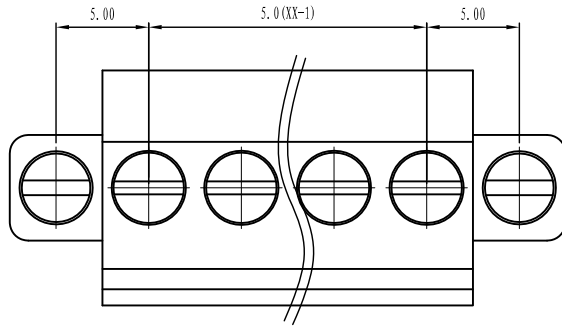




慈溪市万捷电子有限公司

CIXI WANJIE ELECTRONIC CO., LTD

产品规格书
THE SPEC SHEET



参考标准/Standard	UL	IEC
额定电压/Rated voltage	300V	450V
额定电流/Rated current	15A	17.5A
接触电阻/Contact resistance	20mΩ	
绝缘电阻/Insulation resistance	500MΩ/DC500V	
使用线径/Wire range	28~14AWG	1.5mm ²
耐电压/Wrth standing voltage	AC 2000V/1 Min	

机械性能/Mechanical

扭矩/Torque	0.5Nm(4.5Lb.in)
剥线长度/Steip Length	7-8mm
温度范围/Temp.Range	-40°C~+105°C
瞬时温度/MAX Soldering	+250°C, for 5 Sec

尺寸/Dimensions

间距/Pitch	5.0mm
极数/Poles	2~24p

材质及电镀/Material

塑件/Housing	PA66, UL94V-0
螺丝/Screws	M3, Steel, Zn plated
夹子/Clamp	Phosphor bronze, Ni plated
方块/Cage	Brass, Ni plated

linear dimension(Tolerances Standard GB/T 14486-2008)

variable range	linear dimension(Tolerances Standard GB/T 14486-2008)										≡	—	□	//	⊥	
	to 6	over 6 to 10	over 10 to 18	over 18 to 30	over 30 to 50	over 50 to 80	over 80 to 120	over 120 to 160	over 160 to 200	over 200 to 250						all
tolerance	±0.1	±0.14	±0.19	±0.25	±0.32	±0.43	±0.57	±0.72	±0.88	±1.05	±1.25	0.5	0.025	0.06	0.12	0.4

单位 / UNITS	mm	尺寸 / SIZE	A4	比例 / SCALE	3:1	第三视角 / THIRD ANGLE PROJECTION
						名称 / TITLE
慈溪市万捷电子有限公司 CIXI WANJIE ELECTRONIC CO., LTD						WJ2EDGKBM-5.0-XXP-1YY-00A