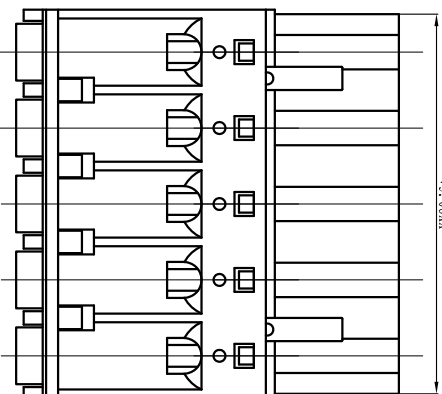
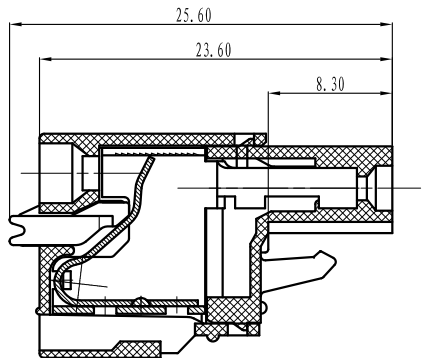
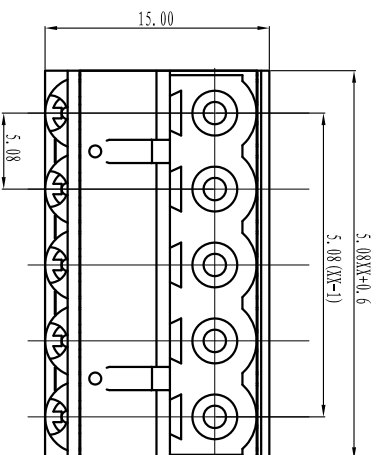




# 慈溪市万捷电子有限公司 CIXI WANJIE ELECTRONIC CO., LTD

产品规格书  
THE SPEC SHEET



参考标准/Standard	UL	IEC
额定电压/Rated voltage	300V	450V
额定电流/Rated current	12A	17.5A
接触电阻/Contact resistance	20mΩ	
绝缘电阻/Insulation resistance	500MΩ/DC500V	
使用线径/Wire range	28~14AWG	1.5mm <sup>2</sup>
耐电压/With standing voltage	AC 2000V/1 Min	
机械性能/Mechanical		
剥线长度/Steip Length	7-8mm	
温度范围/Temp. Range	-40°C~+105°C	
尺寸/Dimensions		
间距/Pitch	5.08mm	
极数/Poles	2-24P	
材质及电镀/Material		
塑件/Housing	PA66, UL94V-0	
夹子/Clamp	Phosphor bronze, Ni plated	
弹片/Shrapnel	Stainless steel	

linear dimension(Tolerances Standard GB/T 14486-2008)	over	±0.14	over	±0.19	over	±0.32	over	±0.43	over	±0.57	over	±0.72	over	±0.88	over	±1.05	over	±1.25	0.5	0.025	0.06	0.12	0.4			
	to	6	to	10	to	18	to	30	to	50	to	80	to	120	to	160	to	200	to	250	all	5	to	30	to	120
variable range	6	to	10	to	18	to	30	to	50	to	80	to	120	to	160	to	200	to	250	5	to	30	to	120		
tolerance	±0.1	±0.14	±0.19	±0.25	±0.32	±0.43	±0.57	±0.72	±0.88	±1.05	±1.25	0.5	0.025	0.06	0.12	0.4										

单位/UNITS	mm	尺寸/SIZE	A4	比例/SCALE	2:1
慈溪市万捷电子有限公司 CIXI WANJIE ELECTRONIC CO., LTD					
名称/TITLE	第三视图/THIRD ANGLE PROJECTION WJZEDGD-5.08-XXP-1YY-00A				