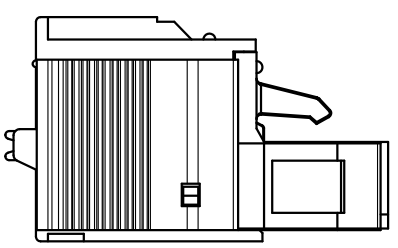
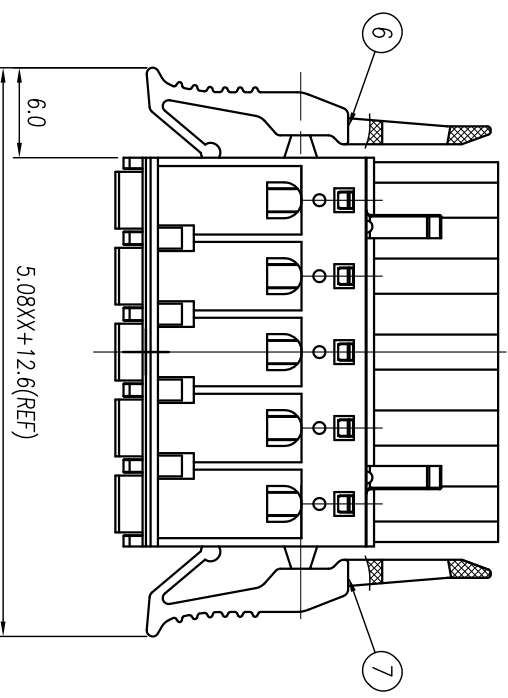
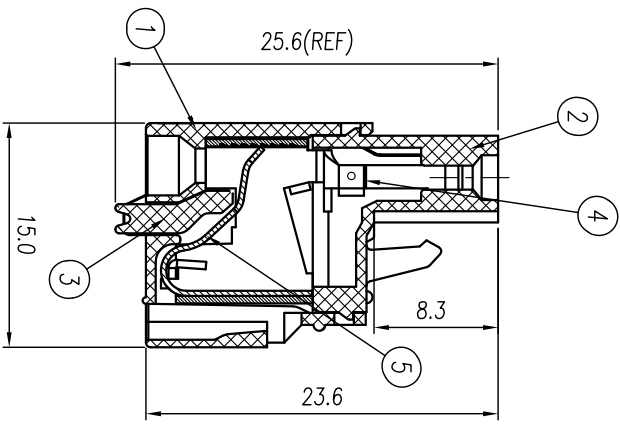
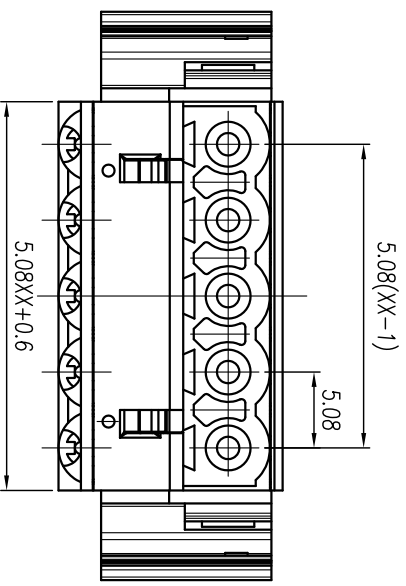




慈溪市万捷电子有限公司 CIXI WANJIE ELECTRONIC CO., LTD

产品规格书
THE SPEC SHEET



- 参考标准/Standard: UL IEC
- 额定电压/Rated voltage: 300V 320V
- 额定电流/Rated current: 10A 15A
- 接触电阻/Contact resistance: 20mΩ
- 绝缘电阻/Insulation resistance: 500MΩ/DC500V
- 使用线径/Wire range: 28-14AWG 2.5mm²
- 耐电压/With standing voltage: AC 2000V/1 Min
- 机械性能/Mechanical: 7-8mm
- 剥线长度/Strip Length: -40°C~+105°C
- 温度范围/Temp.Range: 5.08mm
- 尺寸/Dimensions: 2-24P
- 间距/Pitch: PA66, UL94V-0
- 极数/Poles: M2.5 Steel, Zn plated
- 材质及电镀/Material: Phosphor bronze, Ni plated
- 塑料/Housing: Stainless steel
- 螺丝/Screws: PA66, UL94V-0
- 夹子/Clamp: M2.5 Steel, Zn plated
- 弹片/Wire guard: Phosphor bronze, Ni plated

variable range	over 6 to 10	over 10 to 18	over 18 to 30	over 30 to 50	over 50 to 80	over 80 to 120	over 120 to 160	over 160 to 200	over 200 to 250	all to 5	over 5 to 30	over 30 to 120			
	tolerance ±0.1	±0.14	±0.19	±0.25	±0.32	±0.43	±0.57	±0.72	±0.88	±1.05	±1.25	0.5	0.025	0.06	0.12

linear dimension(Tolerances Standard GB/T 14486-2008)

单位/UNITS: mm 尺寸/SIZE: A4 比例/SCALE: 2:1

第三视图/THIRD ANGLE PROJECTION

慈溪市万捷电子有限公司
CIXI WANJIE ELECTRONIC CO., LTD

名称/TITLE: WJEDGKDC-5.08-XXP-1YY-004