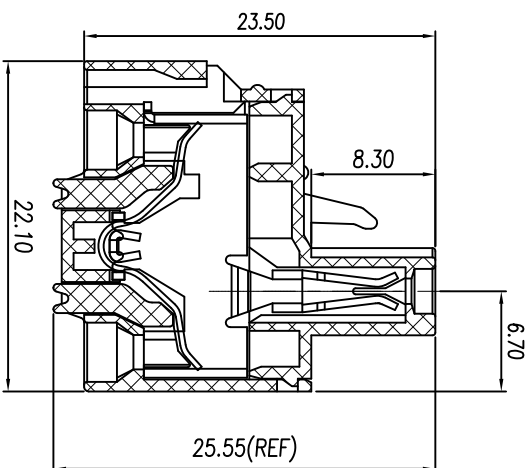
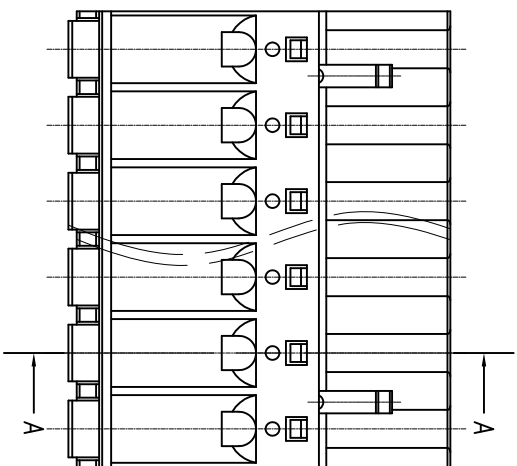
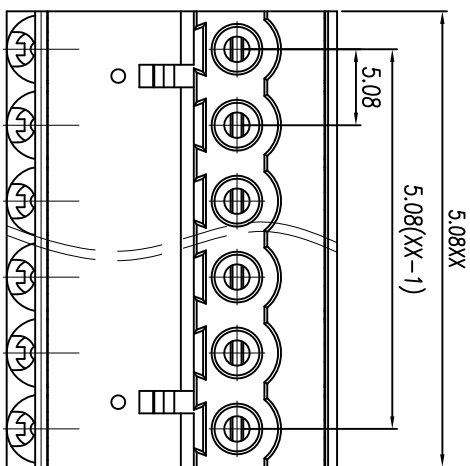


# 慈溪市万捷电子有限公司

## CIXI WANJIE ELECTRONIC CO., LTD

产品规格书  
THE SPEC SHEET



电 气 性 能 / Electrical	参 考 标 准 / Standard	UL	IEC
额定电压 / Rated voltage		300V	450V
额定电流 / Rated current		10A	20A
接触电阻 / Contact resistance		20mΩ	
绝缘电阻 / Insulation resistance		500MΩ / DC500V	
使用线径 / Wire range		26~12AWG	2.5mm <sup>2</sup>
耐 电 压 / With standing voltage		AC 2000V/1 Min	
机 械 性 能 / Mechanical			
剥线长度 / Strip Length		7~8mm	
温度范围 / Temp. Range		-40°C~+105°C	
尺 寸 / Dimensions			
间距 / Pitch		5.08mm	
极数 / Poles		02-24P	
材 质 及 电 镀 / Material		PA66, UL94V-0	
塑 件 / Housing		Stainless steel	
弹 片 / Wire guard		Copper alloy, Sn plated	
夹 子 / Clamp			

linear dimension (Tolerances Standard GB/T 14486-2008)	≡	—	□	//	⊥
over 6	over 10	over 18	over 30	over 50	over 80
to 10	to 18	to 30	to 50	to 80	to 120
over 10	over 18	over 30	over 50	over 80	over 120
to 18	to 30	to 50	to 80	to 120	to 180
over 18	over 30	over 50	over 80	over 120	over 160
to 30	to 50	to 80	to 120	to 160	to 200
over 30	over 50	over 80	over 120	over 160	over 200
to 50	to 80	to 120	to 160	to 200	to 250
over 50	over 80	over 120	over 160	over 200	over 250
to 80	to 120	to 160	to 200	to 250	all
over 80	over 120	over 160	over 200	over 250	5
to 120	to 160	to 200	to 250	to 30	5
over 120	over 160	over 200	over 250	to 30	5
to 180	to 200	to 250	to 30	to 120	0.025
over 180	over 200	over 250	to 120	to 120	0.06
to 200	to 250	to 250	to 120	to 120	0.12
over 200	over 250	to 250	to 120	to 120	0.4

SECTION:A-A

单位 / UNITS	mm	尺寸 / SIZE	A4	比例 / SCALE	2:1
------------	----	-----------	----	------------	-----

第三视图 / THIRD ANGLE PROJECTION



慈溪市万捷电子有限公司  
CIXI WANJIE ELECTRONIC CO., LTD

名称 / TITLE

WJEDGKH-5.08-XXP-1Y-00A