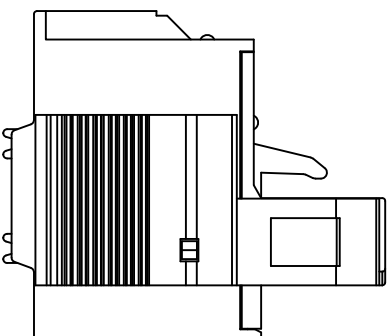
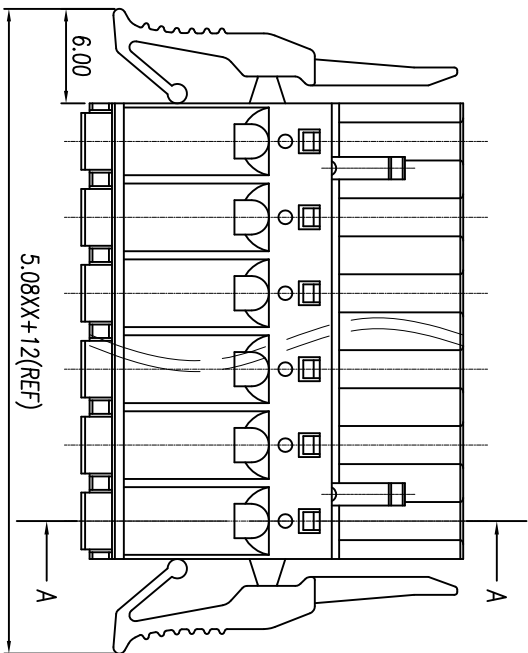
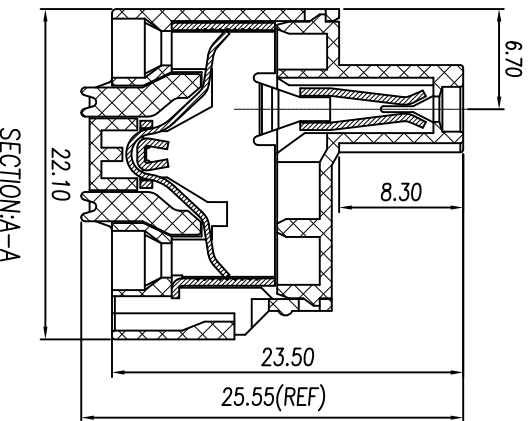
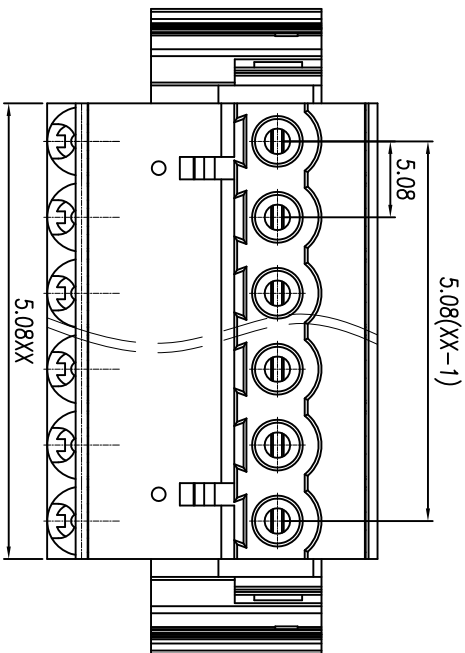


慈溪市万捷电子有限公司 CIXI WANJIE ELECTRONIC CO., LTD

产品规格书
THE SPEC SHEET



电气性能/Electrical

参考标准/Standard

额定电压/Rated voltage

额定电流/Rated current

接触电阻/Contact resistance

绝缘电阻/Insulation resistance

使用线径/Wire range

耐电压/With standing voltage

机械性能/Mechanical

剥线长度/Strip Length

温度范围/Temp.Range

尺寸/Dimensions

间距/Pitch

极数/Poles

材质及电镀/Material

塑件/Housing

弹片/Wire guard

夹子/Clamp

UL IEC

300V 450V

10A 20A

20mΩ

500MΩ/DC500V

26~12AWG 2.5mm²

AC 2000V/1 Min

7~8mm

-40°C~+105°C

5.08mm

02-24P

PA66, UL94V-0

Stainless steel

Copper alloy, Sn plated

variable range	over 6 to	over 10 to	over 18 to	over 30 to	over 50 to	over 80 to	over 120 to	over 160 to	over 200 to	over 250 to	all	over 5 to	over 30 to	over 120 to		
	6	10	18	30	50	80	120	160	200	250	5	30	120			
tolerance	±0.1	±0.14	±0.19	±0.25	±0.32	±0.45	±0.57	±0.72	±0.88	±1.05	±1.25	0.5	0.025	0.06	0.12	0.4

linear dimension(Tolerances Standard GB/T 14486-2008)

单位/UNITS mm 尺寸/SIZE A4 比例/SCALE 2:1

第三视图/THIRD ANGLE PROJECTION



慈溪市万捷电子有限公司
CIXI WANJIE ELECTRONIC CO., LTD

名称/TITLE WJZENGQDHG-5.08-XXP-1YY-004