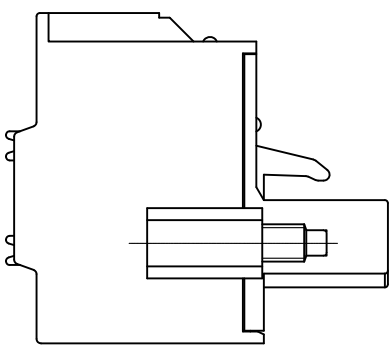
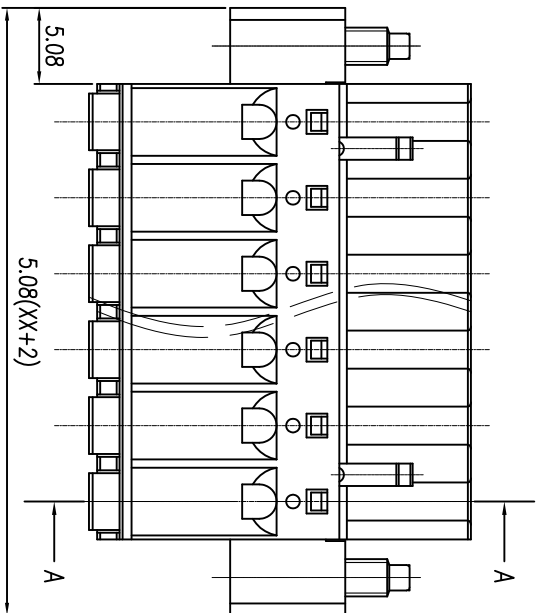
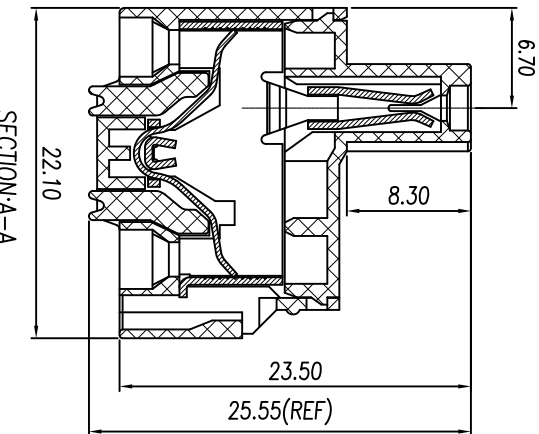
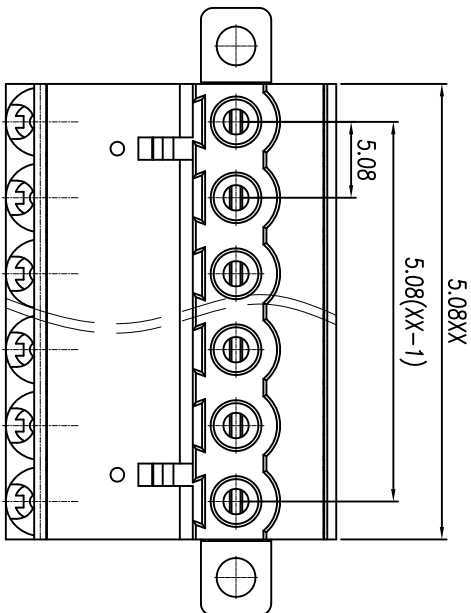


慈溪市万捷电子有限公司 CIXI WANJIE ELECTRONIC CO., LTD

产品规格书
THE SPEC SHEET



电气性能/Electrical

参考标准/Standard	UL	IEC
额定电压/Rated voltage	300V	450V
额定电流/Rated current	10A	20A
接触电阻/Contact resistance	20mΩ	
绝缘电阻/Insulation resistance	500MΩ/DC500V	
使用线径/Wire range	26~12AWG	2.5mm ²
耐电压/With standing voltage	AC 2000V/1 Min	

机械性能/Mechanical

剥线长度/Strip Length	7-8mm
温度范围/Temp.Range	-40°C~+105°C
尺寸/Dimensions	
间距/Pitch	5.08mm
极数/Poles	02~24P

材质及电镀/Material

塑件/Housing	PA66, UL94V-0
弹片/Wire guard	Stainless steel
夹子/Clamp	Copper alloy, Sn plated
螺丝/Screws	Steel, Zn plated

variable range	over 6	over 10	over 18	over 30	over 50	over 80	over 120	over 160	over 200	over 250	all	over 5	over 30	over 120		
	to 6	to 10	to 18	to 30	to 50	to 80	to 120	to 160	to 200	to 250	to 5	to 30	to 120			
tolerance	±0.1	±0.14	±0.19	±0.25	±0.32	±0.45	±0.57	±0.72	±0.88	±1.05	±1.25	0.5	0.025	0.06	0.12	0.4

linear dimension(Tolerances Standard GB/T 14486-2008)

单位/UNITS mm 尺寸/SIZE A4 比例/SCALE 2:1

第三视图/THIRD ANGLE PROJECTION



慈溪市万捷电子有限公司
CIXI WANJIE ELECTRONIC CO., LTD

名称/TITLE WJ2620GDHM-5.08-XXP-1YY-004