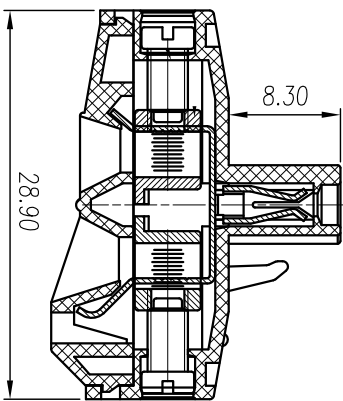
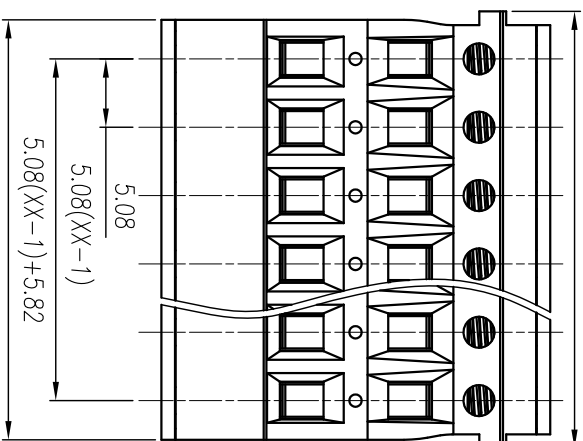
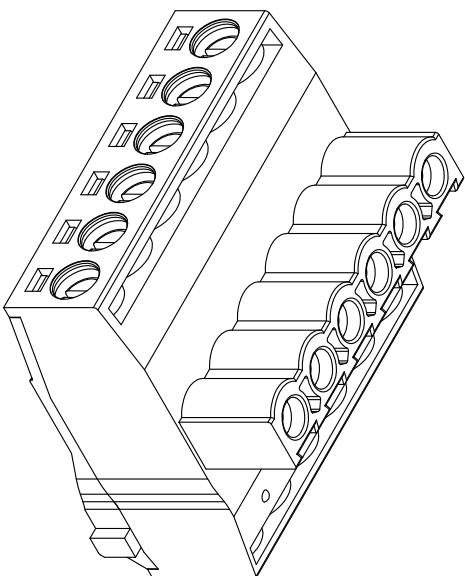
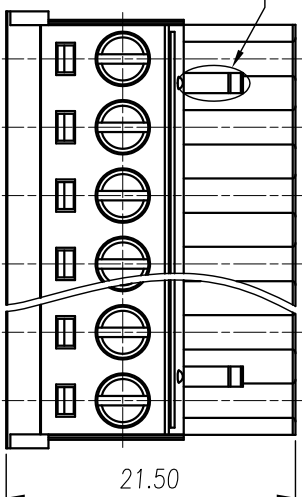


# 慈溪市万捷电子有限公司 CIXI WANJIE ELECTRONIC CO., LTD

产品规格书  
THE SPEC SHEET



2P时只有此卡勾



	linear dimension(Tolerances Standard GB/T 14486-2008)												≡	—	□	//	⊥	
Variable range	to	over	over	over	over	over	over	over	over	over	over	over	over	all	to	over	over	over
	6	6	10	18	30	50	80	120	160	200	250	250	5	5	30	30	120	120
tolerance	±0.1	±0.14	±0.19	±0.25	±0.32	±0.45	±0.57	±0.72	±0.88	±1.05	±1.25	0.5	0.025	0.06	0.12	0.4		

单位 / UNITS	mm	尺寸 / SIZE	A4	比例 / SCALE	9:5	名称 / TITLE	WJ2EDGKH-5.08-XXP-1Y-00A
慈溪市万捷电子有限公司 CIXI WANJIE ELECTRONIC CO., LTD						第三视角 / THIRD ANGLE PROJECTION	

参考标准 / Standard	UL	IEC
额定电压 / Rated voltage	300V	450V
额定电流 / Rated current	15A	20A
接触电阻 / Contact resistance	20mΩ	
绝缘电阻 / Insulation resistance	500MΩ / DC500V	
使用线径 / Wire range	28-12AWG	2.5mm <sup>2</sup>
耐电压 / With standing voltage	AC 2000V/1 Min	
机械性能 / Mechanical		
扭矩 / Torque	0.5Nm(4.5Lb.in)	
剥线长度 / Strip Length	7.8mm	
温度范围 / Temp. Range	-40°C~+105°C	
瞬时温度 / MAX Soldering	+250°C, for 5 Sec	
尺寸 / Dimensions		
间距 / Pitch	5.08mm	
极数 / Poles	2-24P	
材质及电镀 / Material	PA66, UL94V-0	
塑件 / Housing	M3, Steel, Zn plated	
螺丝 / Screws	Copper alloy, Sn plated	
夹子 / Clamp	Copper alloy, Ni plated	
方块 / Cage		