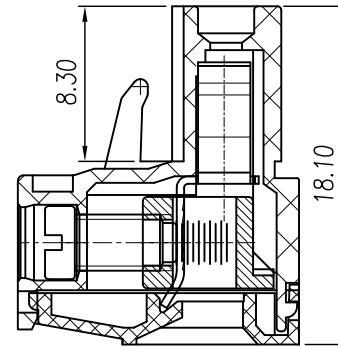
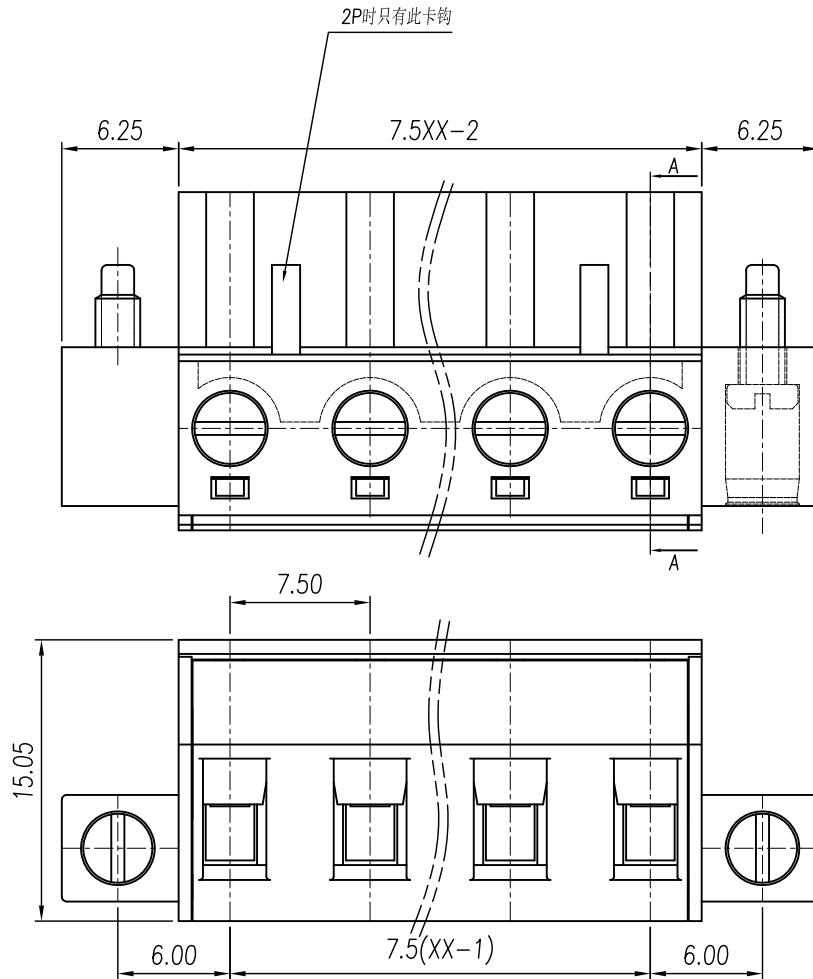




慈溪市万捷电子有限公司

CIXI WANJIE ELECTRONIC CO., LTD

产品规格书
THE SPEC SHEET



SECTION:A-A

| | | |
|----------------------------|----------------------------|--------------------|
| 参考标准/Standard | UL | IEC |
| 额定电压/Rated voltage | 300V | 450V |
| 额定电流/Rated current | 15A | 17.5A |
| 接触电阻/Contact resistance | 20mΩ | |
| 绝缘电阻/Insulation resistance | 500MΩ/DC500V | |
| 使用线径/Wire range | 28~14AWG | 1.5mm ² |
| 耐电压/Wrth standing voltage | AC 2000V/1 Min | |
| 机械性能/Mechanical | | |
| 扭矩/Torque | 0.5Nm(4.5Lb.in) | |
| 剥线长度/Steip Length | 7-8mm | |
| 温度范围/Temp.Range | -40°C~+105°C | |
| 尺寸/Dimensions | | |
| 间距/Pitch | 7.5mm | |
| 极数/Poles | 2~24p | |
| 材质及电镀/Material | | |
| 塑件/Housing | PA66, UL94V-0 | |
| 螺丝/Screws | M3 Steel, Zn plated | |
| 夹子/Clamp | Phosphor bronze, Ni plated | |
| 方块/Cage | Brass, Ni plated | |
| 固定螺丝/Fixing Screws | M2.5 Steel Zn plated | |

| linear dimension(Tolerances Standard GB/T 14486-2008) | | | | | | | | | | | ≡ | — | □ | // | ⊥ | |
|---|------|--------------|---------------|---------------|---------------|---------------|----------------|-----------------|-----------------|-----------------|-------|------|--------------|----------------|-------------|-----|
| variable range | to 6 | over 6 to 10 | over 10 to 18 | over 18 to 30 | over 30 to 50 | over 50 to 80 | over 80 to 120 | over 120 to 160 | over 160 to 200 | over 200 to 250 | all | to 5 | over 5 to 30 | over 30 to 120 | over 120 to | |
| tolerance | ±0.1 | ±0.14 | ±0.19 | ±0.25 | ±0.32 | ±0.43 | ±0.57 | ±0.72 | ±0.88 | ±1.05 | ±1.25 | 0.5 | 0.025 | 0.06 | 0.12 | 0.4 |

| | | | | | | |
|--|----|---------|----|----------|-----|--------------------------------------|
| 单位/UNITS | mm | 尺寸/SIZE | A4 | 比例/SCALE | 3:1 | 第三视角/THIRD ANGLE PROJECTION |
| 慈溪市万捷电子有限公司 CIXI WANJIE ELECTRONIC CO., LTD | | | | | | 名称/TITLE WJ2EDGKM-7.5-XXP-1YY-00A |