

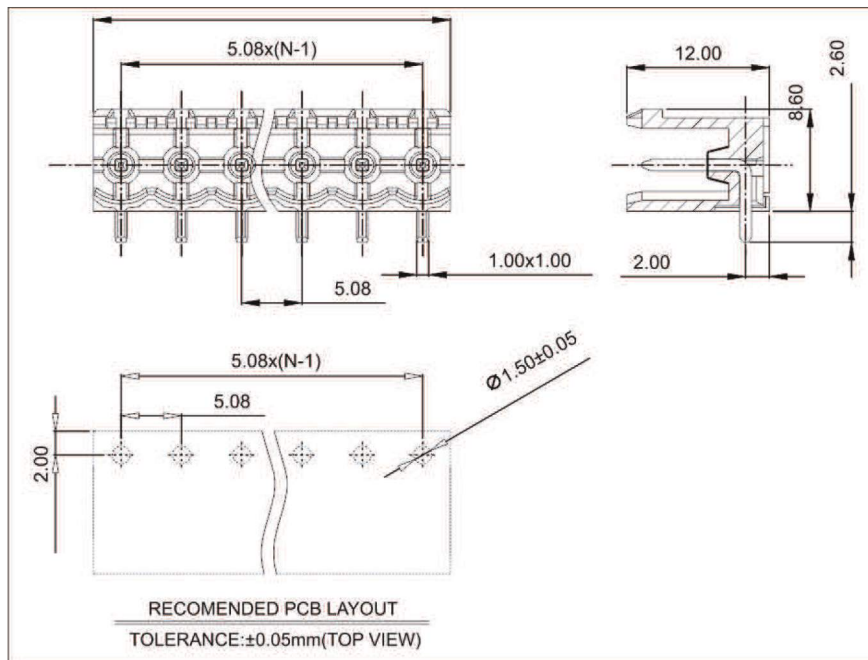
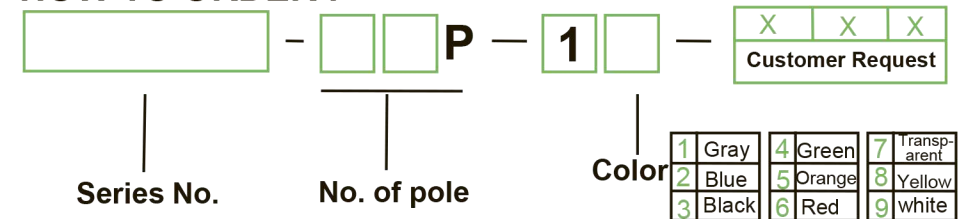


Approval	c  us 	
Electrical		
Standard	UL	IEC
Rated voltage	300V	320V
Rated current	15A	20A
With standing voltage	AC2500V/1Min	
Mechanical		
Ambient temperature	-40°C~+140 °C	
Dimensions		
Pitch	5.08(.200")	
Poles	2P-12P	
Material		
Housing	PA4 6,UL94 V-0	
Pin header	Copper, Tin plated	



HOW TO ORDER :



 mm (INCH)	CIXI WANJIE ELECTRONIC CO.
 THROANGLE PROJECTION	NAME WJ2EDGR-THT-5.08-02P