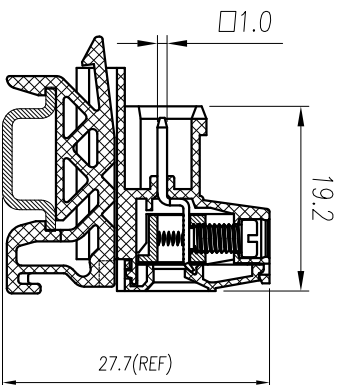
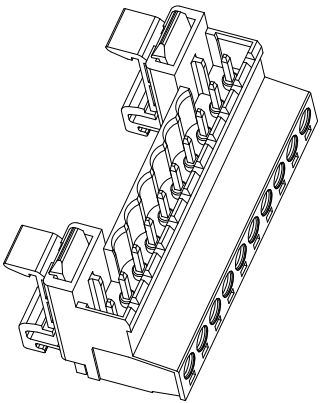
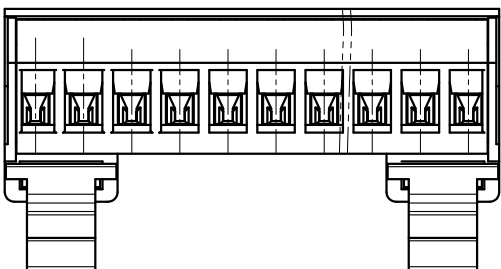
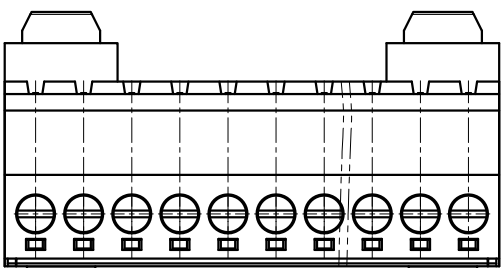
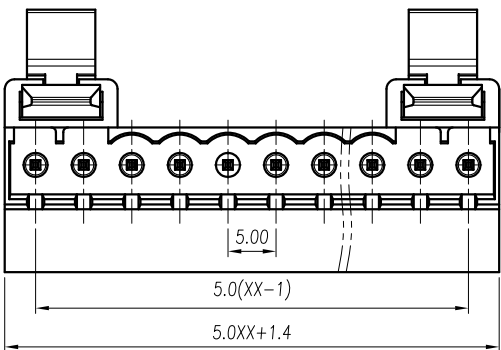




慈溪市万捷电子有限公司 CIXI WANJIE ELECTRONIC CO., LTD

产品规格书
THE SPEC SHEET



参考标准/Standard	UL	IEC
额定电压/Rated voltage	300V	450V
额定电流/Rated current	15A	20A
接触电阻/Contact resistance	20mΩ	
绝缘电阻/Insulation resistance	500MΩ /DC500V	
使用线径/Wire range	28~14AWG	2.5mm ²
耐电压/With standing voltage	AC 2000V/1 Min	
机械性能/Mechanical		
扭矩/Torque	0.5Nm(4.5Lb.in)	
剥线长度/Strip Length	7-8mm	
温度范围/Temp.Range	-40°C~+105°C	

尺寸/Dimensions

间距/Pitch

5mm

极数/Poles

6-24p

材质及电镀/Material

塑料/Housing
M3 Steel, UL94V-0
螺丝/Screws
Brass, Tin plated
方针/Pin header
Brass, Ni plated
方块/Cage

tolerance	linear dimension(Tolerances Standard GB/T 14486-2008)	±0.14	±0.19	±0.25	±0.32	±0.43	±0.57	±0.72	±0.88	±1.05	±1.25	0.5	0.025	0.06	0.12	0.4
	variable range	6 to 10	10 to 18	18 to 30	30 to 50	50 to 80	80 to 120	120 to 160	160 to 200	200 to 250	250 to 300	300 to 400	400 to 500	500 to 600	600 to 800	800 to 1200

单位/UNITS	mm	尺寸/SIZE	A4	比例/SCALE	1:5.1
名称/TITLE	第三视图/THIRD ANGLE PROJECTION				
	WJZEDGRK-5.0-XXP-1YV-00A				



慈溪市万捷电子有限公司
CIXI WANJIE ELECTRONIC CO., LTD