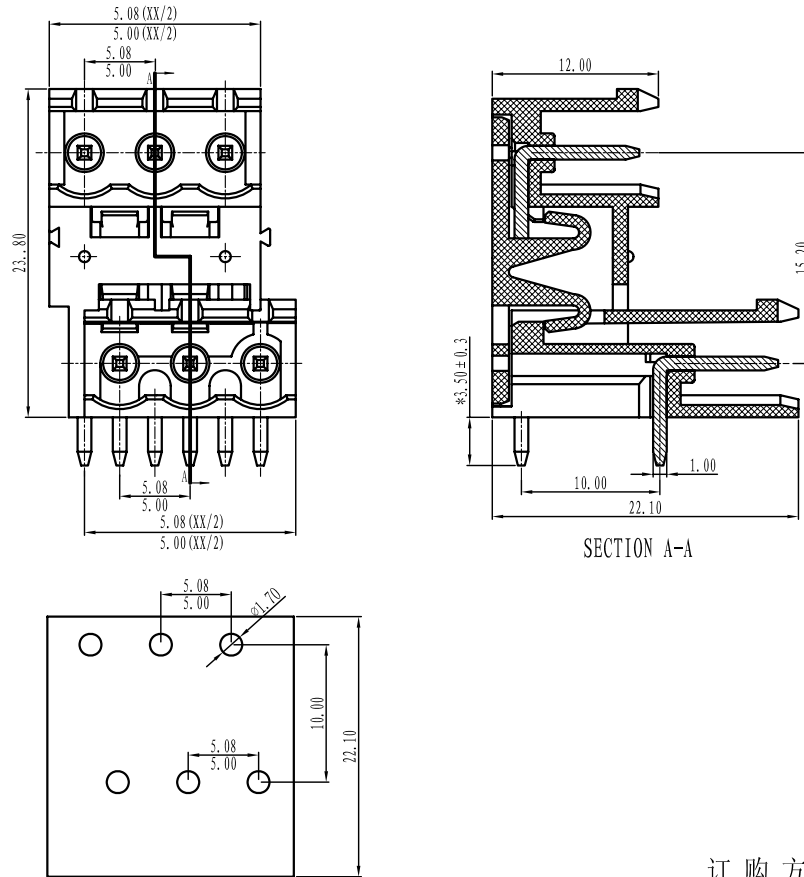




# 慈溪市万捷电子有限公司

## CIXI WANJIE ELECTRONIC CO., LTD

产品规格书  
product specification



### 电气性能/Electrical

参考标准/Standard: UL IEC  
 额定电压/Rated voltage: 300V 320V  
 额定电流/Rated current: 15A 20A  
 接触电阻/Contact resistance: 20mΩ  
 耐电压/Withstanding voltage: AC2000V/1Min  
 绝缘电阻/Insulation resistance: 500MΩ/DC500V

### 机械性能/Mechanical

温度范围/Temp.Range: -40°C~+105°C  
 瞬间温度/MAX Soldering: +250°C, for 5 Sec

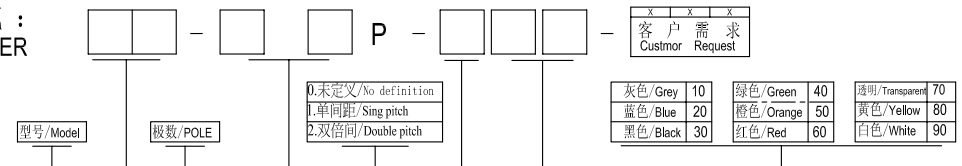
### 尺寸/Dimensions

间距/Pitch: 5.08mm/5.00mm  
 极数/Poles: 2P-XXP

### 材质及电镀/Material

焊针/Pin header: Brass, Tin plated  
 塑件/Housing: PA66, UL94V-0

订购方式:  
HOW TO ORDER



TOLERANCES EXCEPT AS NOTED

	linear dimension					fillet	chamfer	短角边/short angle sid	≡	—	□	//	⊥				
	variable range	to	over	over	over									to	to	to	to
tolerance	±0.1	±0.2	±0.3	±0.5	±0.9	±0.2	±0.5	±1	1°	30'	20'	10'	0.5	0.025	0.06	0.12	0.4

单位/UNITS	mm	尺寸/SIZE	A4	比例/SCALE	第一视角/FIRST ANGLE PROJECTION
慈溪市万捷电子有限公司 CIXI WANJIE ELECTRONIC CO., LTD					
名称/NAME					WJ2EDGRT-XXP-1YY-00A