



慈溪市万捷电子有限公司

CIXI WANJIE ELECTRONIC CO., LTD

产品规格书
product specification

电气性能/Electrical

参考标准/Standard: UL IEC
 额定电压/Rated voltage: 300V 320V
 额定电流/Rated current: 15A 20A
 接触电阻/Contact resistance: 20mΩ

耐电压/Withstanding voltage: AC2000V/1Min

绝缘电阻/Insulation resistance: 500MΩ/DC500V

机械性能/Mechanical

温度范围/Temp Range: -40° C~+105° C
 瞬间温度/MAX Soldering: +250° C, for 5 Sec

尺寸/Dimensions

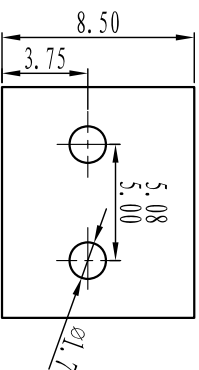
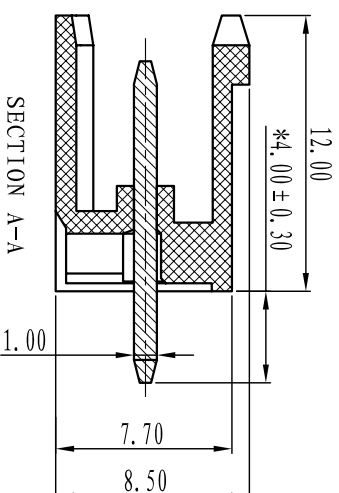
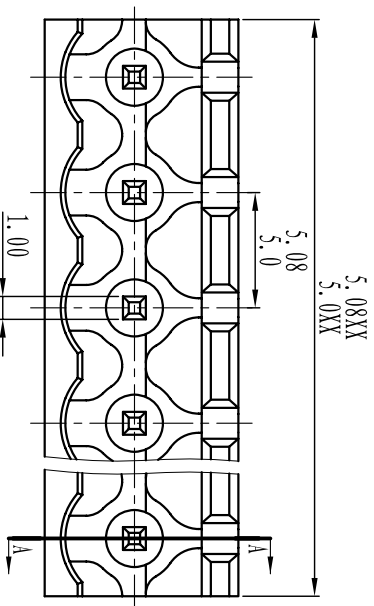
间距/Pitch: 5.00mm, 5.08mm

极数/Poles: 2P-24P

材质及电镀/Material

塑件/Housing: P166, UL94V-0

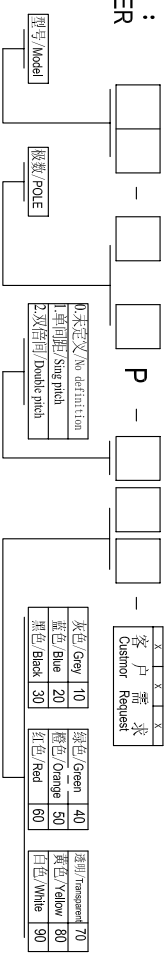
焊针/Pin header: Brass, Tin plated



TOLERANCES EXCEPT AS NOTED

linear dimension	fillet	chamfer	short angle sid	□	∥	⊥
over 6 to 30	over 30 to 120	over 120 to 480	over 480 to all	over 6 to 10	over 10 to 50	over 50 to 120
over 30 to 120	over 120 to 480	over 480 to all	over 6 to 10	over 10 to 50	over 50 to 120	over 120 to all
over 120 to 480	over 480 to all	over 6 to 10	over 10 to 50	over 50 to 120	over 120 to all	over all to 0.4
tolerance ±0.1	tolerance ±0.2	tolerance ±0.3	tolerance ±0.5	tolerance ±0.9	tolerance ±0.2	tolerance ±0.5
tolerance ±0.1	tolerance ±0.2	tolerance ±0.5	tolerance ±1	tolerance 1°	tolerance 30°	tolerance 20°
tolerance ±0.1	tolerance ±0.2	tolerance ±0.5	tolerance ±1	tolerance 1°	tolerance 30°	tolerance 20°
tolerance ±0.1	tolerance ±0.2	tolerance ±0.5	tolerance ±1	tolerance 1°	tolerance 30°	tolerance 20°

订购方式：
HOW TO ORDER



单位/UNITS mm 尺寸/SIZE A4 比例/SCALE

第一视角/FIRST ANGLE PROJECTION



慈溪市万捷电子有限公司
CIXI WANJIE ELECTRONIC CO., LTD

名称/NAME WJ2BDGV-XXP-1YY-00A