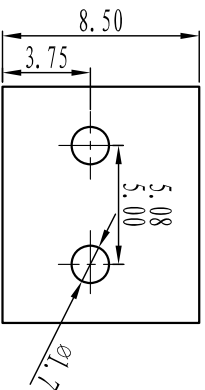
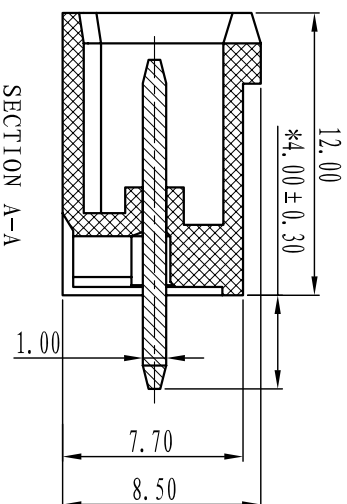
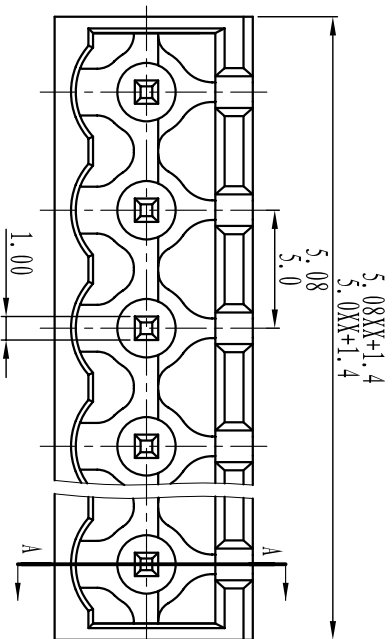




慈溪市万捷电子有限公司

CIXI WANJIE ELECTRONIC CO., LTD

产品规格书
product specification



电气性能/Electrical
 参考标准/Standard: UL IEC
 额定电压/Rated voltage: 300V 320V
 额定电流/Rated current: 15A 20A
 接触电阻/Contact resistance: 20mΩ
 耐电压/Withstanding voltage: AC2000V/1min
 绝缘电阻/Insulation resistance: 500MΩ/DC500V

机械性能/Mechanical
 温度范围/Temp.Range: -40°C~+105°C
 瞬间温度/MAX Soldering: +250°C, for 5 Sec

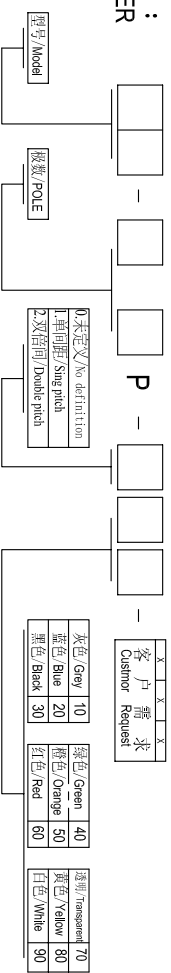
尺寸/Dimensions
 间距/Pitch: 5.00mm, 5.08mm
 极数/Poles: 2P-24P

材质及电镀/Material
 塑件/Housing: PA66, UL94V-0
 焊针/Pin header: Brass, Tin plated

TOLERANCES EXCEPT AS NOTED

	linear dimension	fillet	chamfer	short angle sid	≡	□	//	⊥
variable range	6 over to 30	30 over to 120	120 over to 480	480 over to all	all to 6	6 over to 10	10 over to 50	50 over to 120
tolerance	±0.1	±0.2	±0.3	±0.5	±0.9	±0.2	±0.5	±1

订购方式：
HOW TO ORDER



单位/UNITS	mm	尺寸/SIZE	A4	比例/SCALE	
名称/NAME	WJ2EDGVC-XXP-1YY-00A		第一视角/FIRST ANGLE PROJECTION		



慈溪市万捷电子有限公司
CIXI WANJIE ELECTRONIC CO., LTD