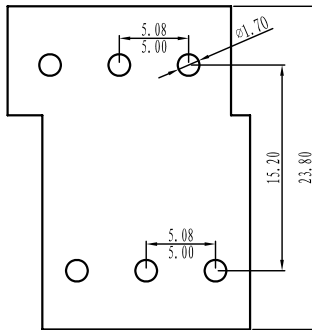
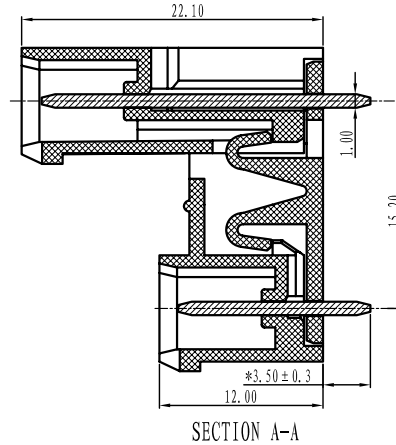
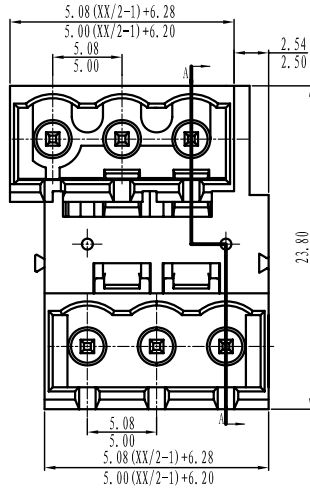




慈溪市万捷电子有限公司

CIXI WANJIE ELECTRONIC CO., LTD

产品规格书
product specification



电气性能/Electrical

参考标准/Standard: UL IEC
 额定电压/Rated voltage: 300V 320V
 额定电流/Rated current: 15A 20A
 接触电阻/Contact resistance: 20mΩ
 耐电压/Withstanding voltage: AC2000V/1Min
 绝缘电阻/Insulation resistance: 500MΩ/DC500V

机械性能/Mechanical

温度范围/Temp.Range: -40° C~+105° C
 瞬间温度/MAX Soldering: +250° C, for 5 Sec

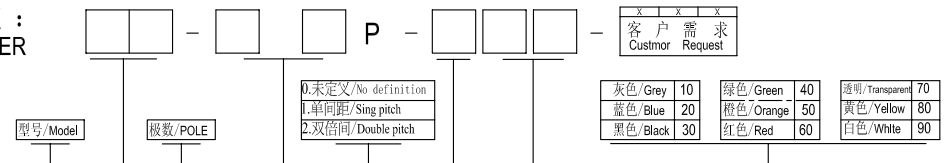
尺寸/Dimensions

间距/Pitch: 5.08mm/5.00mm
 极数/Poles: 2P-XXP

材质及电镀/Material

焊针/Pin header: Brass, Tin plated
 塑件/Housing: PA66, UL94V-0

订购方式:
HOW TO ORDER



TOLERANCES EXCEPT AS NOTED

variable range	linear dimension					fillet	chamfer	short angle sid				≡	—	□	//	⊥	
	to 6	over 6 to 30	over 30 to 120	over 120 to 480	over 480 to	all	to 6	to 10	to 10	to 50	to 120						to 10
tolerance	±0.1	±0.2	±0.3	±0.5	±0.9	±0.2	±0.5	±1	1°	30'	20'	10'	0.5	0.025	0.06	0.12	0.4

单位/UNITS	mm	尺寸/SIZE	A4	比例/SCALE	第一视角/FIRST ANGLE PROJECTION
					名称/NAME
慈溪市万捷电子有限公司 CIXI WANJIE ELECTRONIC CO., LTD					WJ2EDGVC-XXP-1YY-00A