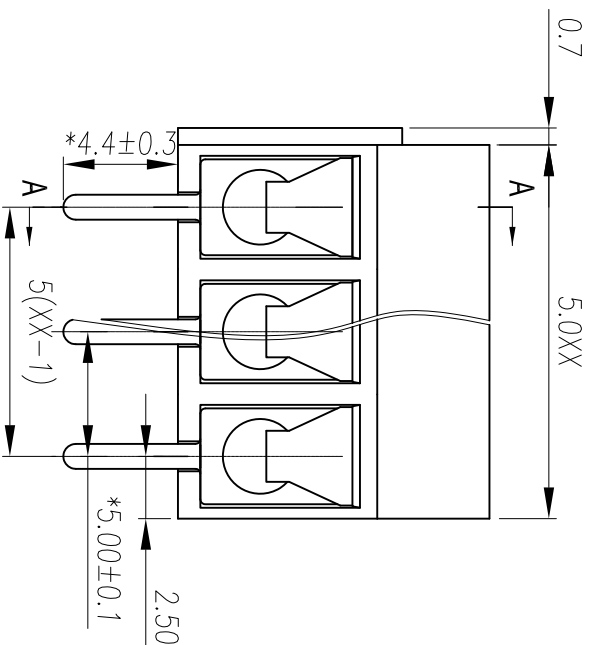
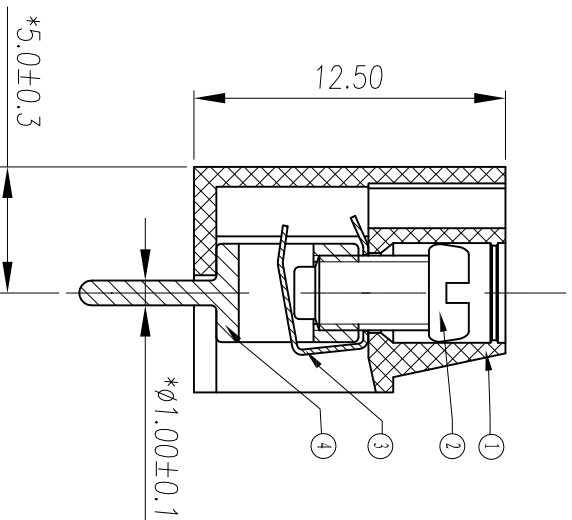
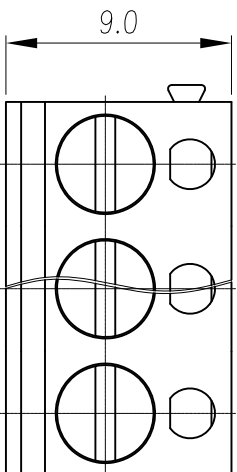
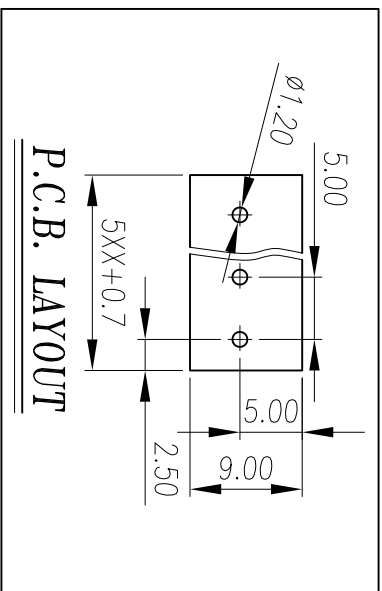




# 慈溪市万捷电子有限公司 CIXI WANJIE ELECTRONIC CO., LTD

产品规格书  
THE SPEC SHEET



### 电气性能/Electrical

参考标准/Standard	UL	IEC
额定电压/Rated voltage	250V	250V
额定电流/Rated current	16A	17.5A
接触电阻/Contact resistance	20mΩ	
绝缘电阻/Insulation resistance	500MΩ/DC500V	
使用线径/Wire range	22~14AWG	1.5mm <sup>2</sup>
耐电压/Wrth standing voltage	AC 2000V/1 Min	

### 机械性能/Mechanical

扭矩/Torque	0.5Nm(4.5Lb.in)
剥线长度/Steip Length	4-4.5mm
温度范围/Temp.Range	-30°C~+120°C
瞬时温度/MAX Soldering	+250°C, for 5 Sec

### 尺寸/Dimensions

间距/Pitch	5.0mm
极数/Poles	2~24p

### 材料及电镀/Material

塑件/Housing	PA66, UL94V-0
螺丝/Screws	M3.0, Steel Zn plated
焊脚/Pin header	Brass, Tin plated
弹片/Shrapnel	Phosphor bronze, Ni plated

variable range	over 6 to 6	over 10 to 10	over 18 to 18	over 30 to 30	over 50 to 50	over 80 to 80	over 120 to 120	over 160 to 160	over 200 to 200	over 250 to 250	all	over 5 to 5	over 30 to 30	over 120 to 120		
	tolerance	±0.1	±0.14	±0.19	±0.25	±0.32	±0.43	±0.57	±0.72	±0.88	±1.05	±1.25	0.5	0.025	0.06	0.12

linear dimension(Tolerances Standard GB/T 14486-2008)

第三视图/THIRD ANGLE PROJECTION



慈溪市万捷电子有限公司  
CIXI WANJIE ELECTRONIC CO., LTD

名称/TITLE  
WJ300-5.0-XXP-1YY-00A