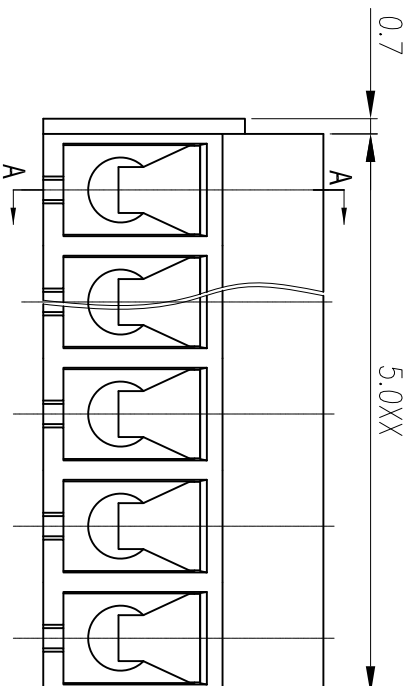
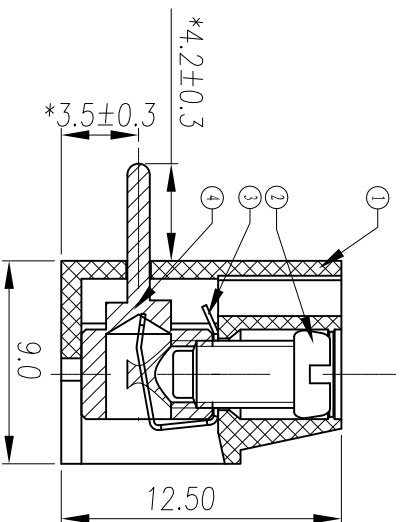
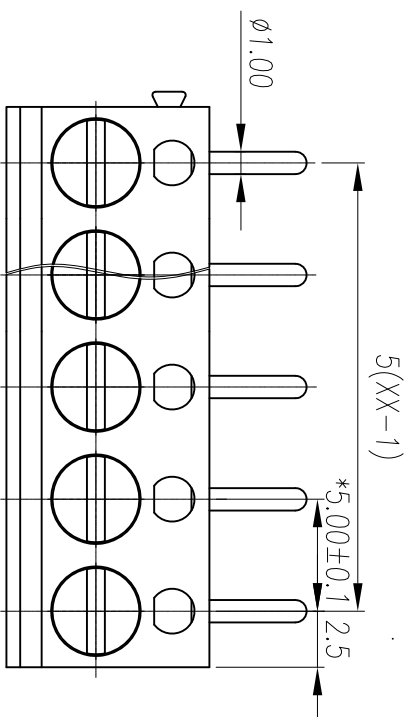
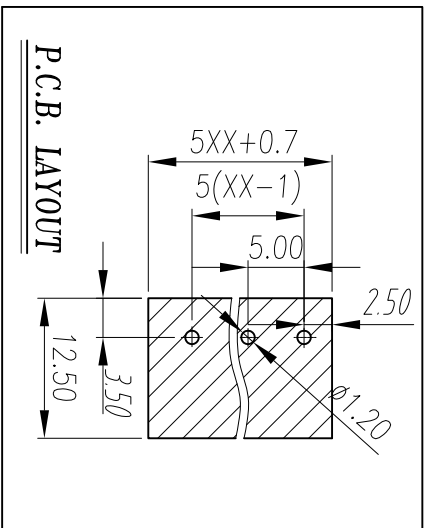




慈溪市万捷电子有限公司 CIXI WANJIE ELECTRONIC CO., LTD

产品规格书
THE SPEC SHEET



电气性能/Electrical

参考标准/Standard	UL	IEC
额定电压/Rated voltage	250V	250V
额定电流/Rated current	16A	17.5A
接触电阻/Contact resistance	20mΩ	
绝缘电阻/Insulation resistance	500MΩ/DC500V	
使用线径/Wire range	22-14AWG	1.5mm ²
耐电压/With standing voltage	AC 2000V/1 Min	

机械性能/Mechanical

扭力/Torque	0.5Nm(4.5lb.in)
剥线长度/Strip Length	4.5-5mm

温度范围/Temp. Range

瞬时温度/MAX Soldering	+250°C, for 5 Sec
温度范围/Temp. Range	-30°C~+120°C

尺寸/Dimensions

间距/Pitch	5.0mm
极数/Poles	2~24p

材质及电镀/Material

塑料/Housing	PA66, UL94V-0
螺丝/Screws	M3.0, Steel Zn plated
焊脚/Pin header	Brass, Tin plated
弹片/Strapnel	Phosphor bronze, Ni plated

linear dimension(Tolerances Standard GB/T 14486-2008)	over 6 to 10	over 10 to 18	over 18 to 30	over 30 to 50	over 50 to 80	over 80 to 120	over 120 to 160	over 160 to 200	over 200 to 250	over 250 to 300	over 300 to 350	over 350 to 400	over 400 to 450	over 450 to 500	over 500 to 550	over 550 to 600	over 600 to 650	over 650 to 700	over 700 to 750	over 750 to 800	over 800 to 850	over 850 to 900	over 900 to 950	over 950 to 1000
	±0.1	±0.14	±0.19	±0.25	±0.32	±0.43	±0.57	±0.72	±0.88	±1.05	±1.25	0.5	0.025	0.06	0.12	0.4								

单位/UNITS	mm	尺寸/SIZE	A4	比例/SCALE	3:1
慈溪市万捷电子有限公司 CIXI WANJIE ELECTRONIC CO., LTD					
名称/TITLE	第三视角/THIRD ANGLE PROJECTION 				
WJ300R-5.0-XXP-1YY-00A					