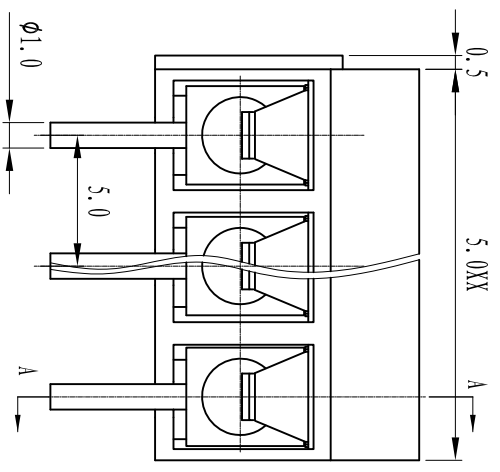
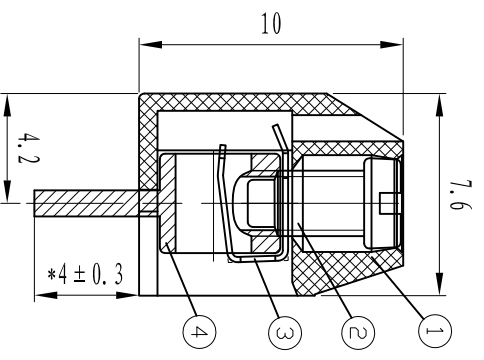
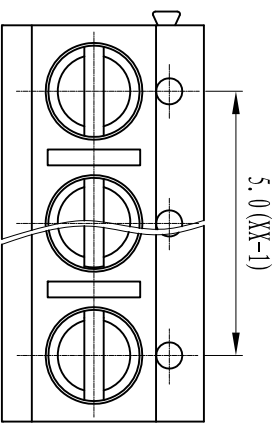
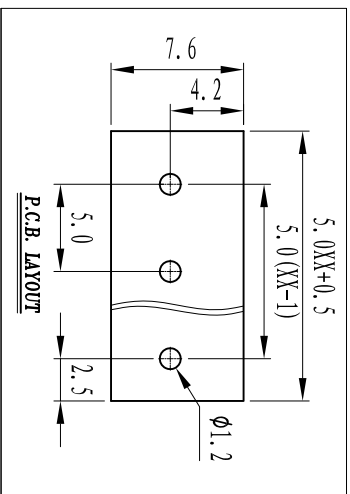




慈溪市万捷电子有限公司 CIXI WANJIE ELECTRONIC CO., LTD

产品规格书
THE SPEC SHEET



SECTION A-A

电气性能/Electrical

参考标准/Standard	UL	IEC
额定电压/Rated voltage	250V	250V
额定电流/Rated current	16A	17.5A
接触电阻/Contact resistance	20mΩ	
绝缘电阻/Insulation resistance	500MΩ /DC500V	
使用线径/Wire range	22~14AWG	1.5mm ²
耐电压/With standing voltage	AC 2000V/1 Min	

机械性能/Mechanical

扭矩/Torque	0.4Nm(3.6Lb.in)
剥线长度/Strip Length	4.5-5mm
温度范围/Temp. Range	-40°C~+120°C
瞬时温度/MAX Soldering	+250°C, for 5 Sec

尺寸/Dimensions

间距/Pitch	5.0mm
极数/Poles	2~24p

材质及电镀/Material

塑件/Housing	PA66, UL94V-0
螺丝/Screws	M2.5, Steel Zn plated
焊脚/Pin header	Brass, Tin plated
弹片/Shrapnel	Phosphor bronze, Ni plated

linear dimension(Tolerances Standard GB/T 14486-2008)		≡		—		□		//		⊥	
tolerance	±0.1	±0.14	±0.19	±0.25	±0.32	±0.43	±0.57	±0.72	±0.88	±1.05	±1.25
variable range	6 to 10	6 to 10	10 to 18	18 to 30	30 to 50	50 to 80	80 to 120	120 to 160	160 to 200	200 to 250	250 to 500

单位/UNITS	mm	尺寸/SIZE	A4	比例/SCALE	7:2
名称/TITLE	第三视图/THIRD ANGLE PROJECTION				
名称/TITLE	WJ301-5.0-XXP-1YY-00A				



慈溪市万捷电子有限公司
CIXI WANJIE ELECTRONIC CO., LTD