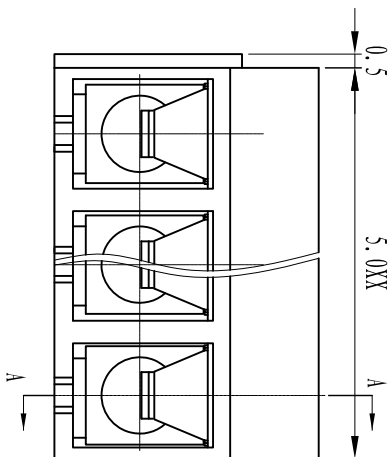
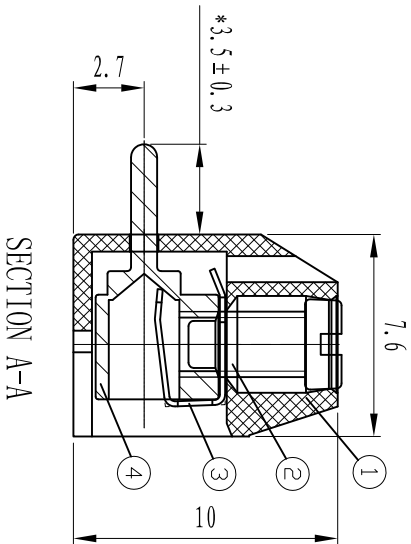
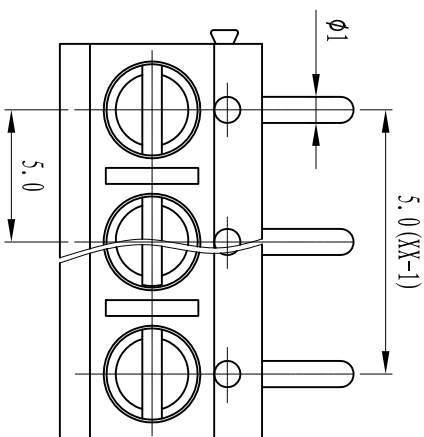
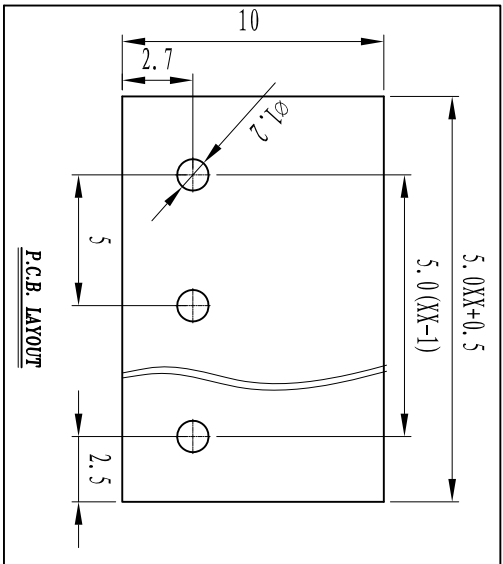




慈溪市万捷电子有限公司 CIXI WANJIE ELECTRONIC CO., LTD

产品规格书
THE SPEC SHEET



linear dimension (Tolerances Standard GB/T 14486-2008)

tolerance	±0.1	±0.14	±0.19	±0.25	±0.32	±0.43	±0.57	±0.72	±0.88	±1.05	±1.25	0.5	0.025	0.06	0.12	0.4
variable range	6 to	6 to	10 to	10 to	18 to	30 to	30 to	50 to	50 to	80 to	120 to	120 to	160 to	160 to	200 to	250 to
	over 6	over 10	over 10	over 18	over 30	over 30	over 50	over 50	over 80	over 120	over 120	over 160	over 160	over 200	over 200	over 250

电气性能/Electrical

参考标准/Standard	UL	IEC
额定电压/Rated voltage	250V	250V
额定电流/Rated current	16A	17.5A
接触电阻/Contact resistance	20mΩ	
绝缘电阻/Insulation resistance	500MΩ /DC500V	
使用线径/Wire range	22~14AWG	1.5mm ²
耐电压/Wrth standing voltage	AC 2000V/1 Min	

机械性能/Mechanical

扭矩/Torque	0.4Nm(3.6lb.in)
剥线长度/Strip Length	4.5-5mm
温度范围/Temp. Range	-40°C~+120°C
瞬时温度/MAX Soldering	+250°C, for 5 Sec

尺寸/Dimensions

间距/Pitch	5.0mm
极数/Poles	2~24p
材料及电镀/Material	PA66, UL94V-0
塑件/Housing	M2.5, Steel Zn plated
螺丝/Screws	Brass, Tin plated
焊脚/Pin header	Phosphor bronze, Ni plated
弹片/Strapnel	

单位/UNITS	mm	尺寸/SIZE	A4	比例/SCALE	7:2
----------	----	---------	----	----------	-----

名称/TITLE	第三视图/THIRD ANGLE PROJECTION
	WJ301R-5.0-XXP-1YY-00A



慈溪市万捷电子有限公司
CIXI WANJIE ELECTRONIC CO., LTD