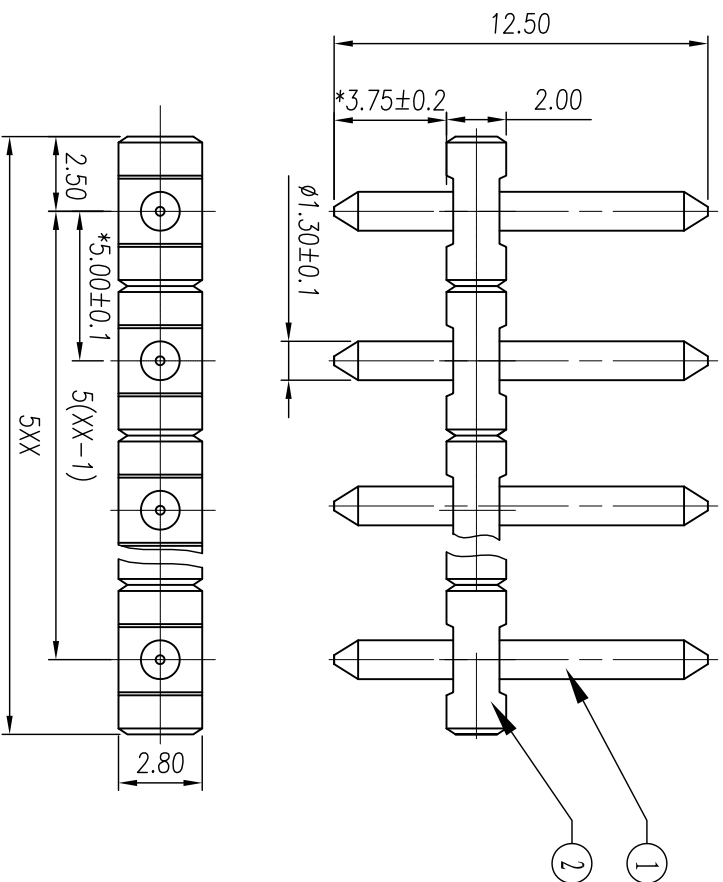
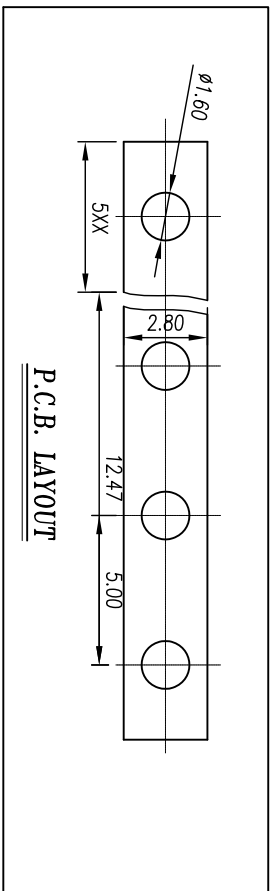




慈溪市万捷电子有限公司 CIXI WANJIE ELECTRONIC CO., LTD

产品规格书
THE SPEC SHEET



电气性能/Electrical

参考标准/Standard

UL IEC

额定电压/Rated voltage

300V 250V

额定电流/Rated current

10A 18A

接触电阻/Contact resistance

20mΩ

绝缘电阻/Insulation resistance

500MΩ/DC500V

耐电压/Wrth standing voltage

AC 2000V/1 Min

机械性能/Mechanical

温度范围/Temp.Range

-40°C~+105°C

瞬时温度/MAX Soldering

+250°C, for 5 Sec

尺寸/Dimensions

间距/Pitch

5.0mm

极数/Poles

2-24p

材质及电镀/Material

塑件/Housing

PBT, UL94V-0

焊脚/Pin header

Brass, Tin plated

	linear dimension(Tolerances Standard GB/T 14486-2008)												≡	—	□	//	⊥
variable range	over 6 to 6	over 10 to 10	over 18 to 18	over 30 to 30	over 50 to 50	over 80 to 80	over 120 to 120	over 160 to 160	over 200 to 200	over 250 to 250	all	5 to 5	over 5 to 5	over 30 to 30	over 120 to 120		
tolerance	±0.1	±0.14	±0.19	±0.25	±0.32	±0.43	±0.57	±0.72	±0.88	±1.05	±1.25	0.5	0.025	0.06	0.12	0.4	

第三视角/THIRD ANGLE PROJECTION



单位/UNITS	mm	尺寸/SIZE	A4	比例/SCALE	4:1
----------	----	---------	----	----------	-----

慈溪市万捷电子有限公司
CIXI WANJIE ELECTRONIC CO., LTD

名称/TITLE
WJ32J5.0-XXP-1YY-00A