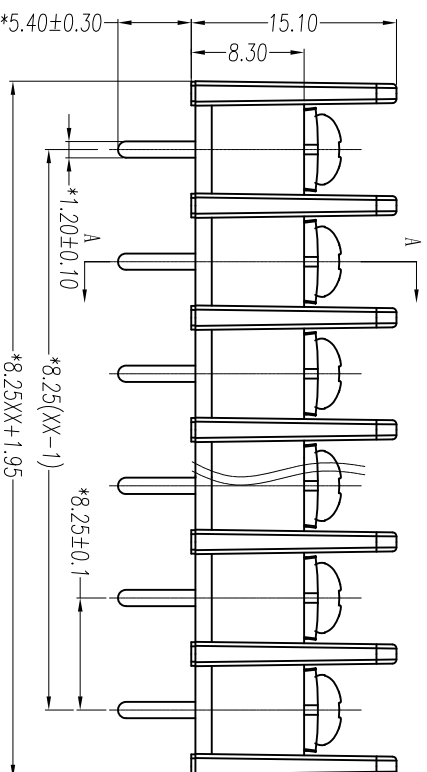
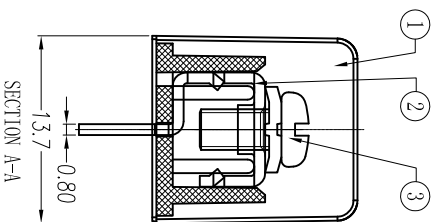
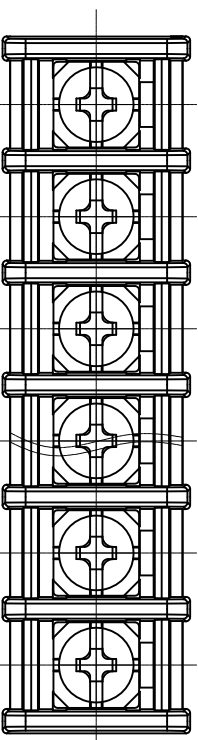
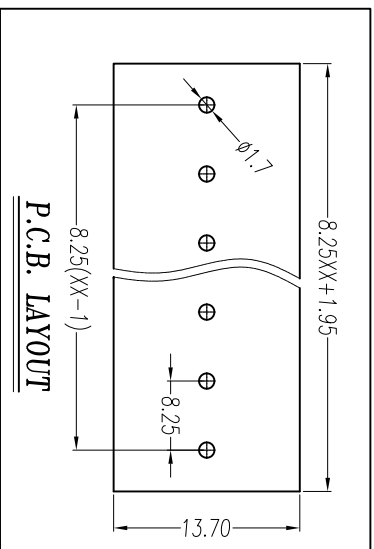




慈溪市万捷电子有限公司 CIXI WANJIE ELECTRONIC CO., LTD

产品规格书
THE SPEC SHEET



电气性能/Electrical

参考标准/Standard	UL	IEC
额定电压/Rated voltage	300V	450V
额定电流/Rated current	15A	24A
接触电阻/Contact resistance	20mΩ	
绝缘电阻/Insulation resistance	500MΩ/DC500V	

使用线径/Wire range

22~14AWG 1.5mm²
AC 2000V/1 Min

机械性能/Mechanical

扭矩/Torque

0.5Nm(4.5lbin)
-40°C~+105°C

温度范围/Temp Range

尺寸/Dimensions

瞬时温度/MAX Soldering
+250°C, for 5 Sec

间距/Pitch
8.25mm

极数/Poles
2~26p

材料及电镀/Material
PA66, UL94V-0

塑件/Housing
M3.0 Steel Ni plated

螺丝/Screws
Brass 0.8t Tin plated

焊脚/Pin header

linear dimension(Tolerances Standard GB/T 14486-2008)	≡	—	□	//	⊥											
tolerance	±0.1	±0.14	±0.19	±0.25	±0.32	±0.43	±0.57	±0.72	±0.88	±1.05	±1.25	0.5	0.025	0.06	0.12	0.4
variable range	6 to 10	10 to 18	18 to 30	30 to 50	50 to 80	80 to 120	120 to 160	160 to 200	200 to 250	250 to 300	300 to 450	all	5 to 30	30 to 120	120 to 200	200 to 300

单位/UNITS	mm	尺寸/SIZE	A4	比例/SCALE	2:1
----------	----	---------	----	----------	-----

名称/TITLE	第三视图/THIRD ANGLE PROJECTION
	WJ35C-XXP-1YY-00A

慈溪市万捷电子有限公司
CIXI WANJIE ELECTRONIC CO., LTD