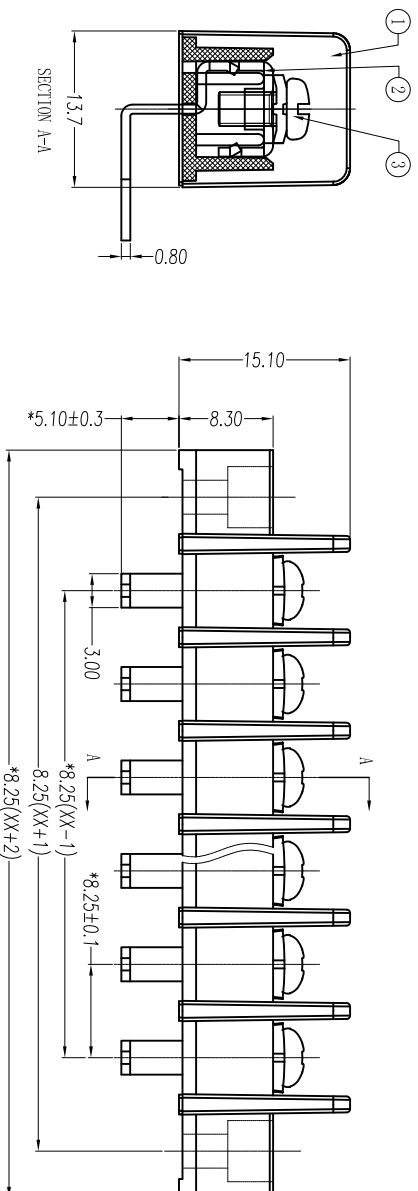
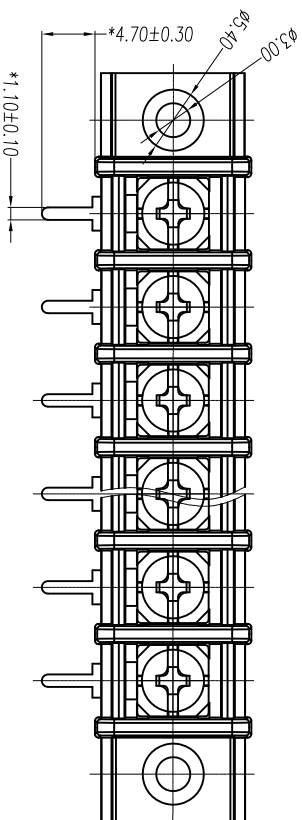
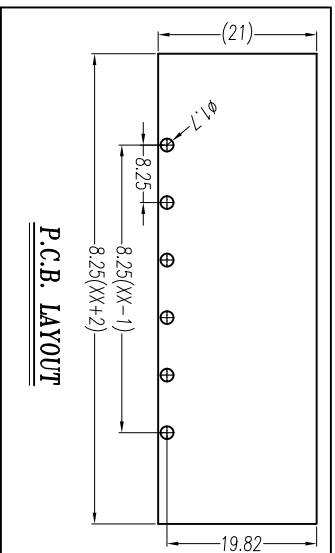




慈溪市万捷电子有限公司 CIXI WANJIE ELECTRONIC CO., LTD

产品规格书
THE SPEC SHEET



电气性能/Electrical

参考标准/Standard	UL	IEC
额定电压/Rated voltage	300V	450V
额定电流/Rated current	15A	24A
接触电阻/Contact resistance	20mΩ	
绝缘电阻/Insulation resistance	500MΩ/DC500V	
使用线径/Wire range	22~14AWG	1.5mm ²
耐电压/With standing voltage	AC 2000V/1 Min	

机械性能/Mechanical

扭矩/Torque	0.5Nm(4.5Lb.in)
温度范围/Temp Range	-40°C~+105°C
瞬时温度/MAX Soldering	+250°C, for 5 Sec

尺寸/Dimensions

间距/Pitch	8.25mm
极数/Poles	2-24p
材料及电镀/Material	PA66, UL94V-0
塑件/Housing	M3.0 Steel Ni plated
螺丝/Screws	Brass 0.8t Tin plated
焊脚/Pin header	

linear dimension(Tolerances Standard GB/T 14486-2008)	≡	—	□	//	⊥											
tolerance	±0.1	±0.14	±0.19	±0.25	±0.32	±0.43	±0.57	±0.72	±0.88	±1.05	±1.25	0.5	0.025	0.06	0.12	0.4
variable range	6 to 10	6 to 10	10 to 18	10 to 18	30 to 50	30 to 50	50 to 80	80 to 120	120 to 160	160 to 200	200 to 250	all to 5	5 to 30	30 to 120	120 to 180	180 to 200

单位/UNITS	mm
尺寸/SIZE	A4
比例/SCALE	5:3

名称/TITLE	第三视图/THIRD ANGLE PROJECTION
	WJ35RM-XXP-1YY-00A



慈溪市万捷电子有限公司
CIXI WANJIE ELECTRONIC CO., LTD