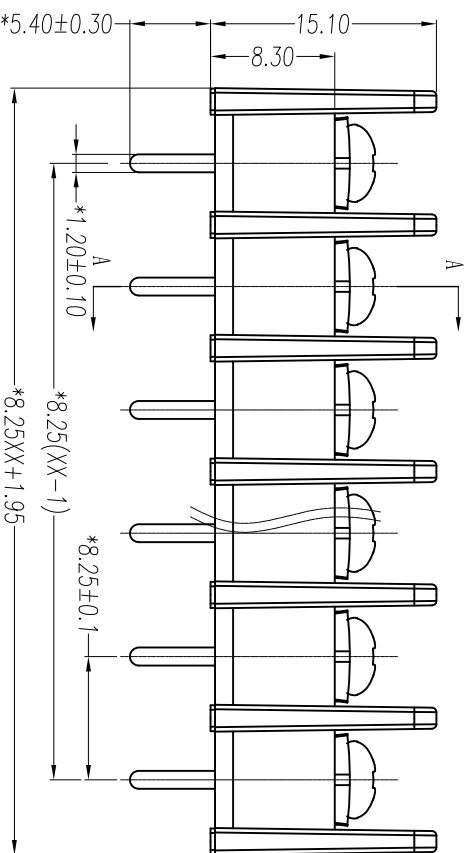
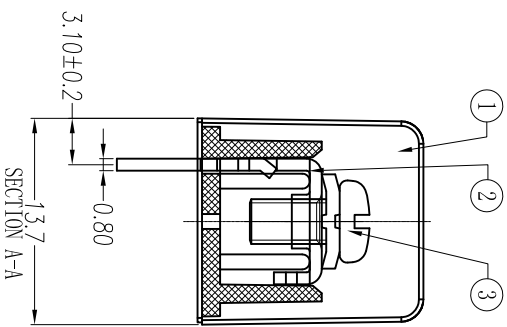
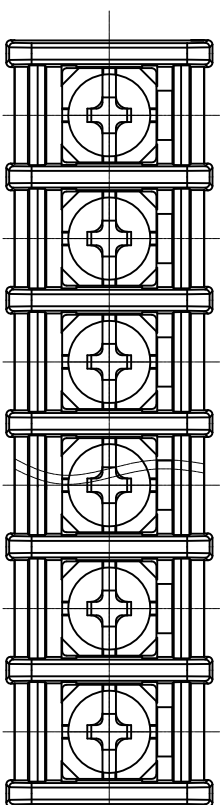
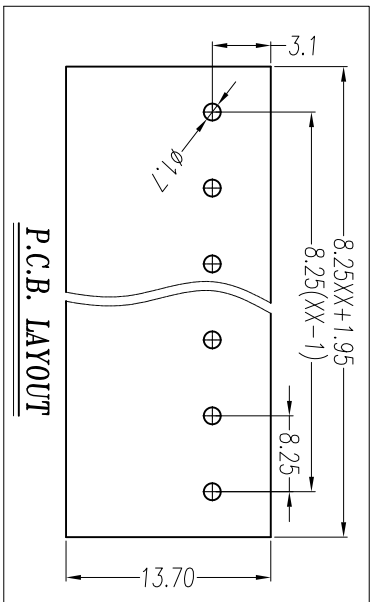




慈溪市万捷电子有限公司 CIXI WANJIE ELECTRONIC CO., LTD

产品规格书
THE SPEC SHEET



电气性能 / Electrical

| | | |
|------------------------------|----------------|--------------------|
| 参考标准 / Standard | UL | IEC |
| 额定电压 / Rated voltage | 300V | 450V |
| 额定电流 / Rated current | 15A | 24A |
| 接触电阻 / Contact resistance | 20mΩ | |
| 绝缘电阻 / Insulation resistance | 500MΩ / DC500V | |
| 使用线径 / Wire range | 22~14AWG | 1.5mm ² |
| 耐电压 / With standing voltage | AC 2000V/1 Min | |

机械性能 / Mechanical

扭矩 / Torque: 0.5Nm(4.5Lb.in)
 温度范围 / Temp Range: -40°C~+105°C

瞬时温度 / MAX Soldering: +250°C, for 5 Sec

尺寸 / Dimensions

间距 / Pitch: 8.25mm
 极数 / Poles: 2~26p

材质及电镀 / Material

塑件 / Housing: PA66, UL94V-0
 螺丝 / Screws: M3.0 Steel Ni plated
 焊脚 / Pin header: Brass 0.8t Tin plated

linear dimension (Tolerances Standard GB/T 14486-2008)

| | | | | | | | | | | | | | | | | |
|----------------|---------|----------|----------|----------|----------|-----------|------------|------------|------------|------------|------------|----------|---------|-----------|------------|------------|
| tolerance | ±0.1 | ±0.14 | ±0.19 | ±0.25 | ±0.32 | ±0.43 | ±0.57 | ±0.72 | ±0.88 | ±1.05 | ±1.25 | 0.5 | 0.025 | 0.06 | 0.12 | 0.4 |
| variable range | 6 to 10 | 10 to 18 | 18 to 30 | 30 to 50 | 50 to 80 | 80 to 120 | 120 to 160 | 160 to 200 | 200 to 250 | 250 to 300 | 300 to 500 | all | 5 to 30 | 30 to 120 | 120 to 250 | 250 to 500 |
| tolerance | over 6 | over 10 | over 18 | over 30 | over 50 | over 80 | over 120 | over 160 | over 200 | over 250 | over 300 | over 500 | over 5 | over 30 | over 120 | over 250 |

第三视图 / THIRD ANGLE PROJECTION



慈溪市万捷电子有限公司
CIXI WANJIE ELECTRONIC CO., LTD

名称 / TITLE: WJ35S-XXP-1YY-00A