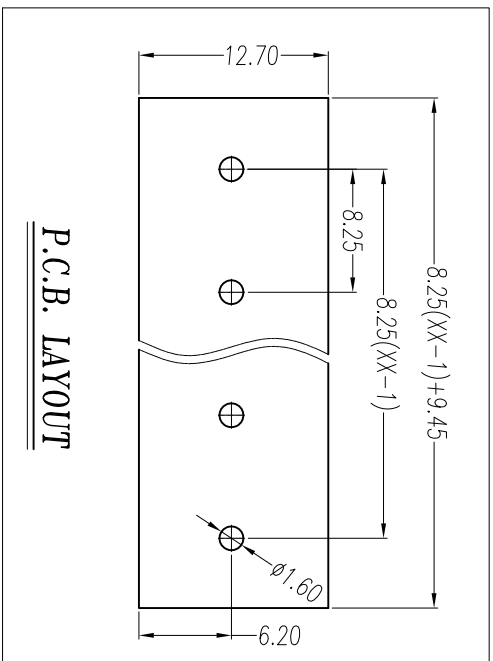


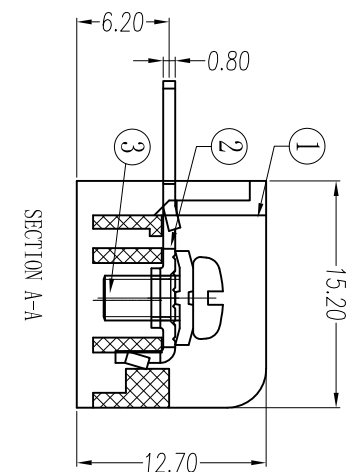


慈溪市万捷电子有限公司 CIXI WANJIE ELECTRONIC CO., LTD

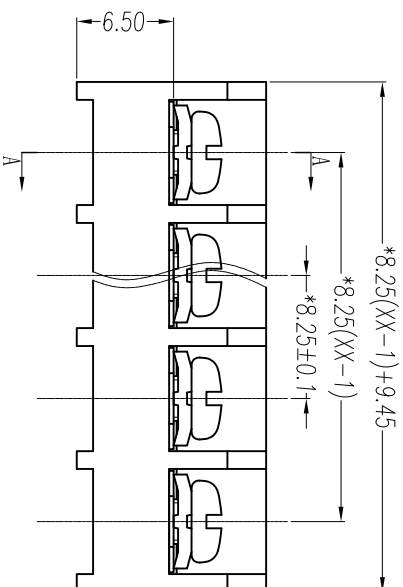
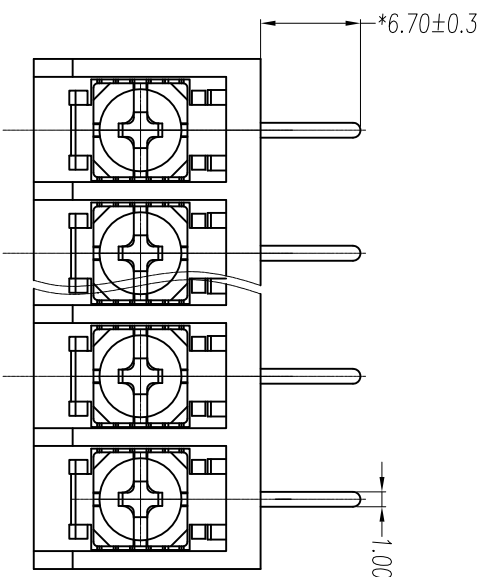
产品规格书
THE SPEC SHEET



P.C.B. LAYOUT



SECTION A-A



电气性能/Electrical

参考标准/Standard	UL	IEC
额定电压/Rated voltage	300V	450V
额定电流/Rated current	20A	32A
接触电阻/Contact resistance	20mΩ	
绝缘电阻/Insulation resistance	500MΩ/DC500V	
使用线径/Wire range	22~12AWG	2.5mm ²
耐压/Wrth standing voltage	AC 2000V/1 Min	

机械性能/Mechanical

扭矩/Torque	0.5Nm(4.5lb.in)
温度范围/Temp.Range	-40°C~+105°C
瞬时温度/MAX Soldering	+250°C, for 5 Sec

尺寸/Dimensions

间距/Pitch	8.25mm
极数/Poles	2-26p
材料及电镀/Material	PA66, UL94V-0
塑件/Housing	M3.0 Steel Ni plated
螺丝/Screws	Brass 0.8t Tin plated
焊脚/Pin header	

tolerance	±0.1	±0.14	±0.19	±0.25	±0.32	±0.43	±0.57	±0.72	±0.88	±1.05	±1.25	0.5	0.025	0.06	0.12	0.4
	over 6 to 10	over 10 to 18	over 18 to 30	over 30 to 50	over 50 to 80	over 80 to 120	over 120 to 160	over 160 to 200	over 200 to 250	over 250 to 300	over 300 to 400	dill to 5	over 5 to 30	over 30 to 120	over 120 to 250	over 250 to 500

linear dimension(Tolerances Standard GB/T 14486-2008)

单位/UNITS mm 尺寸/SIZE A4 比例/SCALE 2:1



慈溪市万捷电子有限公司
CIXI WANJIE ELECTRONIC CO., LTD

第三视角/THIRD ANGLE PROJECTION



名称/TITLE
WJ36A-XXP-1YY-00A