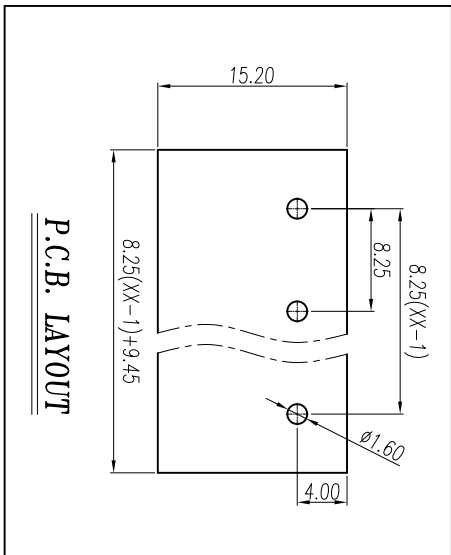


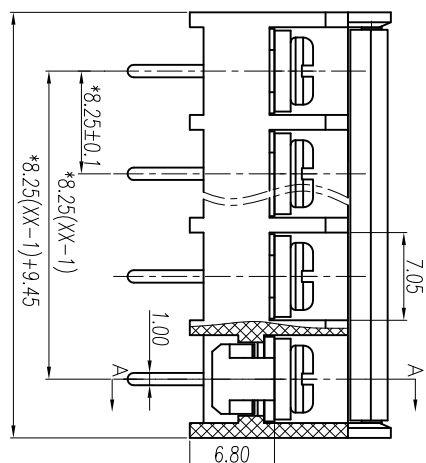
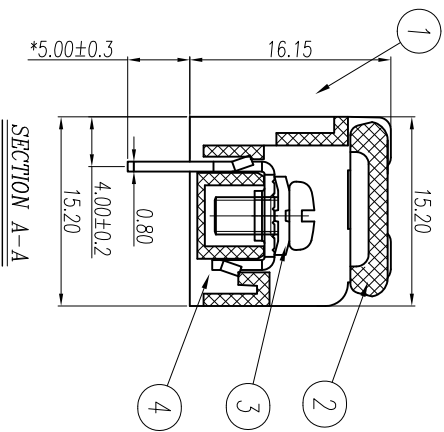
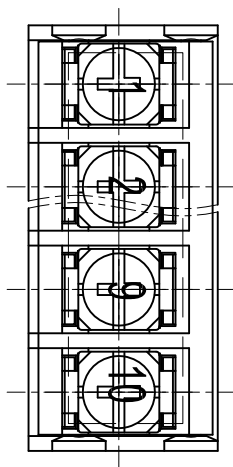


慈溪市万捷电子有限公司 CIXI WANJIE ELECTRONIC CO., LTD

产品规格书
THE SPEC SHEET



P.C.B. LAYOUT



电气性能/Electrical

参考标准/Standard	UL	IEC
额定电压/Rated voltage	300V	450V
额定电流/Rated current	15A	24A
接触电阻/Contact resistance	20m Ω	
绝缘电阻/Insulation resistance	500M Ω /DC500V	
使用线径/Wire range	22~12AWG	2.5mm ²
耐电压/Wrth standing voltage	AC 2000V/1 Min	

机械性能/Mechanical

扭 矩/Torque	0.5Nm(4.5Lb.in)
温度范围/Temp.Range	-40°C~+105°C
瞬时温度/MAX Soldering	+250°C, for 5 Sec

尺寸/Dimensions

间距/Pitch	8.25mm
极数/Poles	2~10p

材质及电镀/Material

塑料/Housing	PA66, UL94V-0
螺丝/Screws	M3.0 Steel Ni plated
焊脚/Pin header	Brass 0.8t Tin plated
盖板/Cover	PC,UL94V-2

linear dimension(Tolerances Standard GB/T 14486-2008)	over	±0.14	over	±0.19	over	±0.25	over	±0.32	over	±0.43	over	±0.57	over	±0.72	over	±0.88	over	±1.05	over	±1.25	0.5	0.025	0.06	0.12	0.4
	to	6	10	18	30	50	80	120	160	200	250	to	5	to	30	to	120	to	250	to	5	to	30	to	120
variable range	6	10	18	30	50	80	120	160	200	250	to	5	to	30	to	120	to	250	to	5	to	30	to	120	
tolerance	±0.1	±0.14	±0.19	±0.25	±0.32	±0.43	±0.57	±0.72	±0.88	±1.05	±1.25	0.5	0.025	0.06	0.12	0.4									

单位/UNITS	mm	尺寸/SIZE	A4	比例/SCALE	5:3
----------	----	---------	----	----------	-----

名称/TITLE	第三视图/THIRD ANGLE PROJECTION
	WJ36G-XXP-1YY-00A



慈溪市万捷电子有限公司
CIXI WANJIE ELECTRONIC CO., LTD