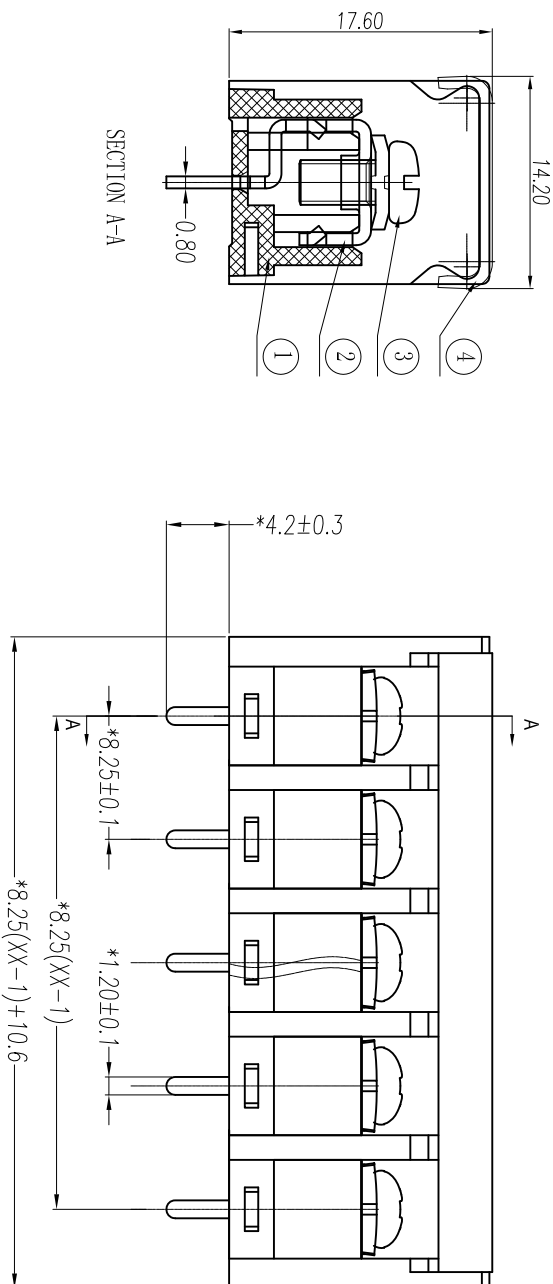
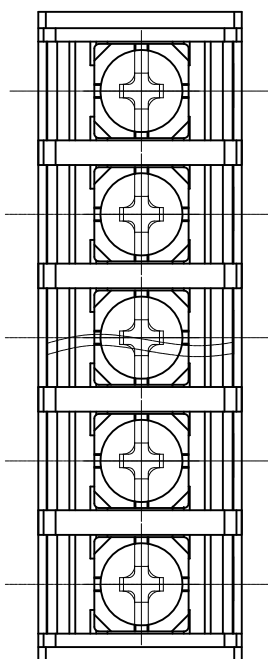
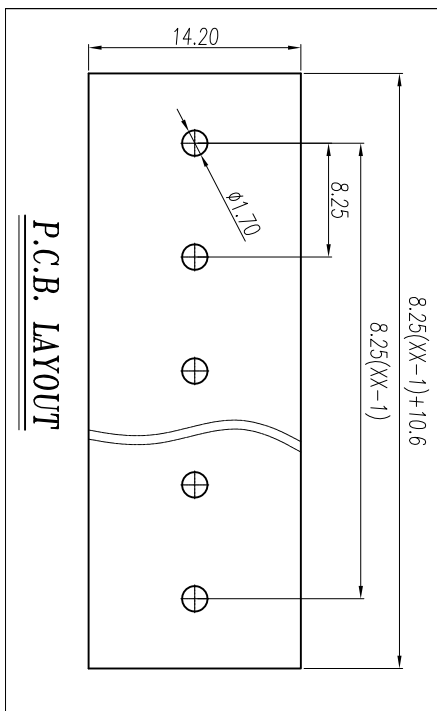




# 慈溪市万捷电子有限公司 CIXI WANJIE ELECTRONIC CO., LTD

产品规格书  
THE SPEC SHEET



### 电气性能/Electrical

参考标准/Standard	UL	IEC
额定电压/Rated voltage	300V	450V
额定电流/Rated current	15A	17.5A
接触电阻/Contact resistance	20mΩ	
绝缘电阻/Insulation resistance	500MΩ/DC500V	
使用线径/Wire range	22~14AWG	1.5mm <sup>2</sup>
耐电压/Wrth standing voltage	AC 2000V/1 Min	

### 机械性能/Mechanical

扭矩/Torque	0.5Nm(4.5lb.in)
温度范围/Temp. Range	-40°C~+105°C
瞬时温度/MAX Soldering	+250°C, for 5 Sec

### 尺寸/Dimensions

间距/Pitch	8.25mm
极数/Poles	2~22p

### 材料及电镀/Material

塑件/Housing	PA66, UL94V-0
螺丝/Screws	M3.0 Steel Ni plated
焊脚/Pin header	Brass 0.8t Tin plated
盖板/Cover	PC,UL94V-2

linear dimension(Tolerances Standard GB/T 14486-2008)	过 6	过 10	过 18	过 30	过 50	过 80	过 120	过 160	过 200	过 250	0.5	过 5	过 30	过 120	
tolerance	±0.1	±0.14	±0.19	±0.25	±0.32	±0.43	±0.57	±0.72	±0.88	±1.05	±1.25	0.025	0.06	0.12	0.4
variable range	6 to 10	10 to 18	18 to 30	30 to 50	50 to 80	80 to 120	120 to 160	160 to 200	200 to 250	250 to 300	all	5 to 30	30 to 120		

单位/UNITS	mm
尺寸/SIZE	A4
比例/SCALE	2:1

名称/TITLE	第三视角/THIRD ANGLE PROJECTION
名称/TITLE	WJ38C-XXP-1YY-00A

慈溪市万捷电子有限公司  
CIXI WANJIE ELECTRONIC CO., LTD