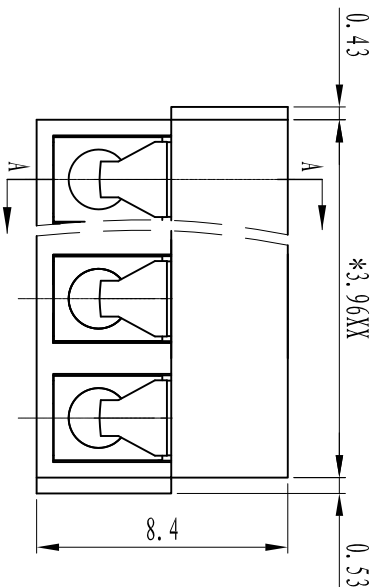
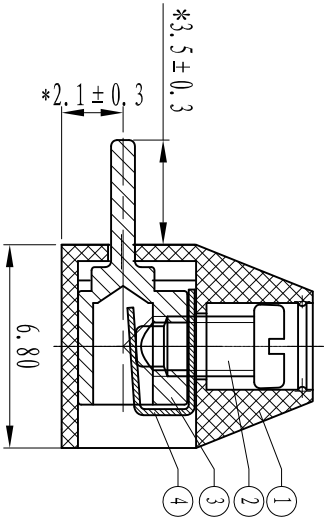
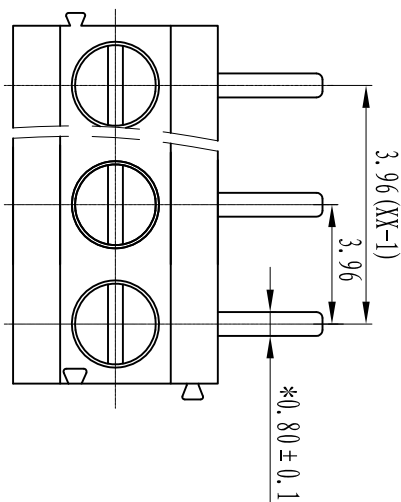
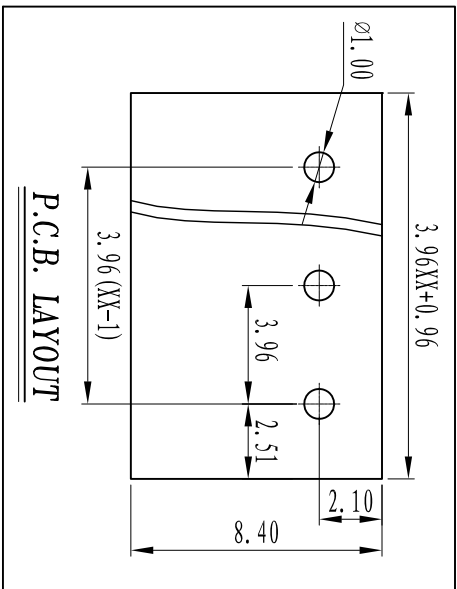




# 慈溪市万捷电子有限公司 CIXI WANJIE ELECTRONIC CO., LTD

产品规格书  
THE SPEC SHEET



SECTION A-A

## 电气性能/Electrical

参考标准/Standard	UL	IEC
额定电压/Rated voltage	300V	250V
额定电流/Rated current	10A	10A
接触电阻/Contact resistance	20mΩ	
绝缘电阻/Insulation resistance	500MΩ/DC500V	
使用线径/Wire range	24~18AWG	0.75mm <sup>2</sup>
耐电压/With standing voltage	AC 2000V/1 Min	

## 机械性能/Mechanical

扭矩/Torque	0.2Nm(1.77Lb.in)
剥线长度/Strip Length	4.5-5mm
温度范围/Temp.Range	-40°C~+105°C
瞬时温度/MAX Soldering	+250°C, for 5 Sec

## 尺寸/Dimensions

间距/Pitch	3.96mm
极数/Poles	2~24p

## 材料及电镀/Material

塑件/Housing	PA66, UL 94V-0
螺丝/Screws	M2.0 Steel Zn plated
焊脚/Pin header	Brass, Tin plated
弹片/Strapnel	Phosphor-bronze, Ni plated

linear dimension(Tolerances Standard GB/T 14486-2008)

tolerance	±0.1	±0.14	±0.19	±0.25	±0.32	±0.43	±0.57	±0.72	±0.88	±1.05	±1.25	0.5	0.025	0.06	0.12	0.4
variable range	6 to 10	10 to 18	18 to 30	30 to 50	50 to 80	80 to 120	120 to 160	160 to 200	200 to 250	250 to 250	all	5 to 5	5 to 30	30 to 120	120 to 120	
tolerance	±0.1	±0.14	±0.19	±0.25	±0.32	±0.43	±0.57	±0.72	±0.88	±1.05	±1.25	0.5	0.025	0.06	0.12	0.4

单位/UNITS mm 尺寸/SIZE A4 比例/SCALE 4:1  
 慈溪市万捷电子有限公司  
 CIXI WANJIE ELECTRONIC CO., LTD  
 第三视图/THIRD ANGLE PROJECTION  
 名称/TITLE WJ396P-3.96-XXP-1YY-00A