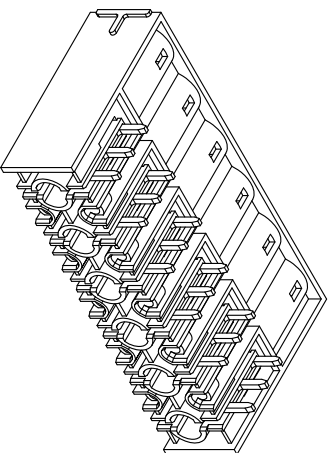
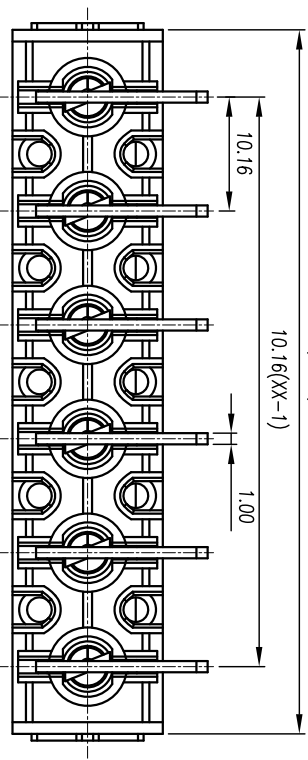
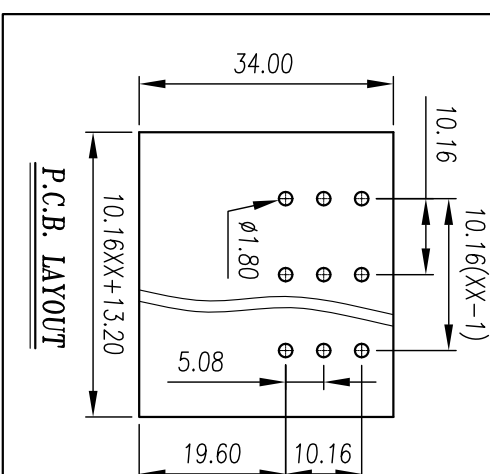
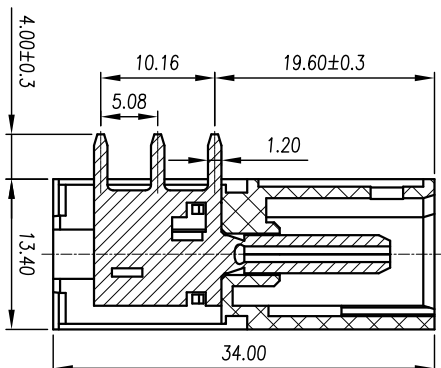
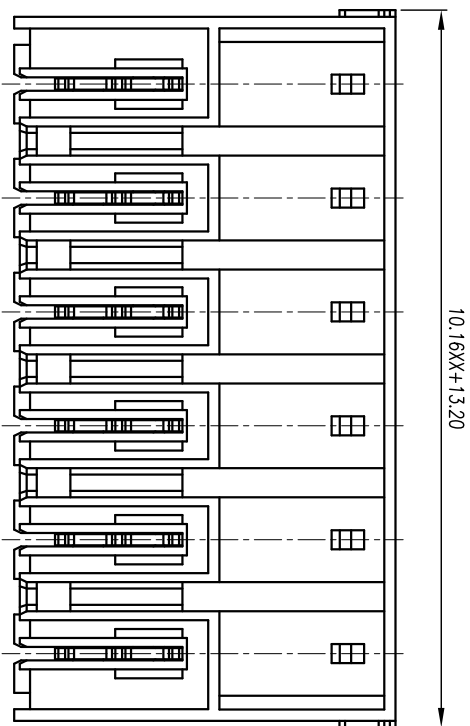




# 慈溪市万捷电子有限公司

## CIXI WANJIE ELECTRONIC CO., LTD

产品规格书  
THE SPEC SHEET



### 电气性能/Electrical

参考标准/Standard	UL	IEC
额定电压/Rated voltage	300V	1000V
额定电流/Rated current	55A	76A
接触电阻/Contact resistance	20mΩ	
绝缘电阻/Insulation resistance	500MΩ/DC500V	
耐电压/With standing voltage	AC 3500V/1 Min	

### 机械性能/Mechanical

温度范围/Temp Range	-40°C~+105°C
瞬时温度/MAX Soldering	+250°C, for 5 Sec

### 尺寸/Dimensions

间距/Pitch	10.16mm
极数/Poles	02~18p
材质及电镀/Material	PA66, UL94V-0
塑件/Housing	Copper alloy, Sn plated
焊脚/Pin header	

linear dimension(Tolerances Standard GB/T 14486-2008)	over 6 to 10	±0.14	over 10 to 18	±0.19	over 18 to 30	±0.25	over 30 to 50	±0.32	over 50 to 80	±0.43	over 80 to 120	±0.57	over 120 to 160	±0.72	over 160 to 200	±0.88	over 200 to 250	±1.05	over 250 to all	±1.25	0.5	0.025	0.06	0.12	0.4
	tolerance	±0.1	±0.14	±0.19	±0.25	±0.32	±0.43	±0.57	±0.72	±0.88	±1.05	±1.25	0.5	0.025	0.06	0.12	0.4								

单位/UNITS mm 尺寸/SIZE A4 比例/SCALE 3:2 第三视角/THIRD ANGLE PROJECTION



慈溪市万捷电子有限公司  
CIXI WANJIE ELECTRONIC CO., LTD

名称/TITLE WJ3EDGR0-10.16-XXP-1Y-00A