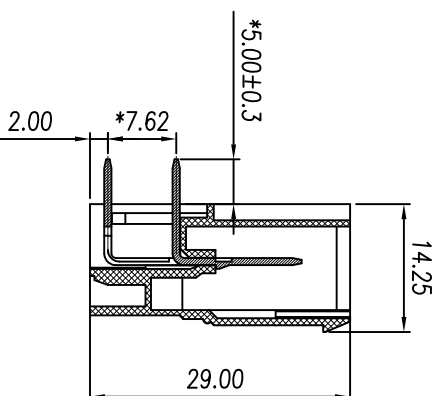
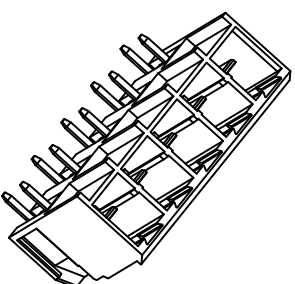
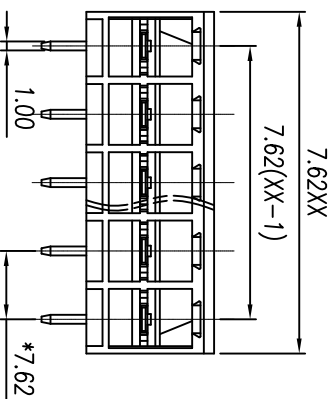
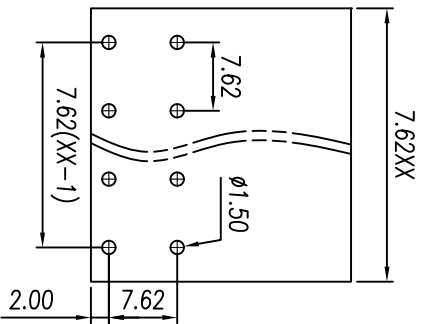


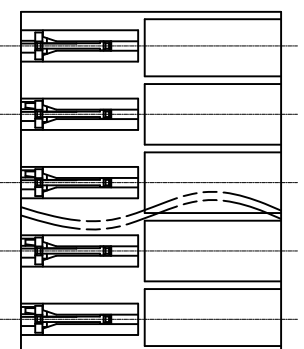
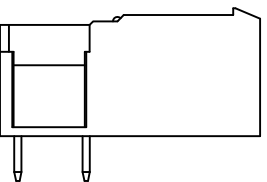


# 慈溪市万捷电子有限公司 CIXI WANJIE ELECTRONIC CO., LTD

产品规格书  
THE SPEC SHEET



电气性能/Electrical	
参考标准/Standard	UL IEC
额定电压/Rated voltage	300V 600V
额定电流/Rated current	20A 32A
接触电阻/Contact resistance	20m $\Omega$
绝缘电阻/Insulation resistance	500M $\Omega$ /DC500V
耐电压/With standing voltage	AC 3000V/1 Min
机械性能/Mechanical	
温度范围/Temp.Range	-40°C~+105°C
瞬时温度/MAX Soldering	+250°C, for 5 Sec
尺寸/Dimensions	
间距/Pitch	7.62mm
极数/Poles	2-12P
材料及电镀/Material	PA66, UL94V-0
塑件/Housing	Red copper, Tin plated
导电针/Conductor	



	linear dimension(Tolerances Standard GB/T 14486-2008)												≡	—	□	//	⊥
variable range	over 6 to 6	over 10 to 10	over 18 to 18	over 30 to 30	over 50 to 50	over 80 to 80	over 120 to 120	over 160 to 160	over 200 to 200	over 250 to 250	all	5 to 5	over 5 to 30	over 30 to 120	over 120 to 120		
tolerance	±0.1	±0.14	±0.19	±0.25	±0.32	±0.43	±0.57	±0.72	±0.88	±1.05	±1.25	0.5	0.025	0.06	0.12	0.4	

单位 / UNITS mm 尺寸 / SIZE A4 比例 / SCALE 1:2.1

名称 / TITLE 第三视图 THIRD ANGLE PROJECTION  
WJ3EJGRC-7.62-XXP-1YY-00A

慈溪市万捷电子有限公司  
CIXI WANJIE ELECTRONIC CO., LTD

