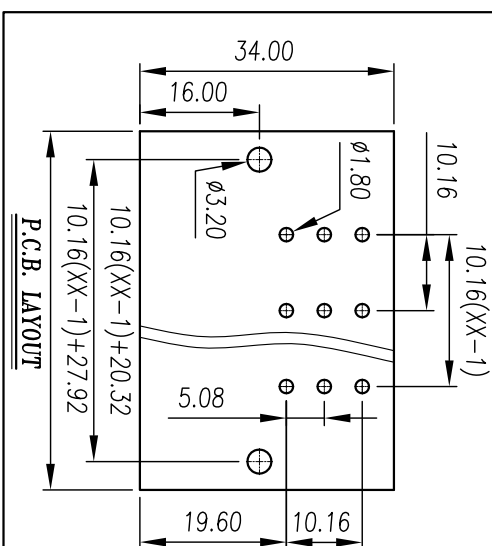
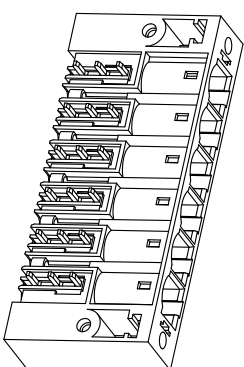
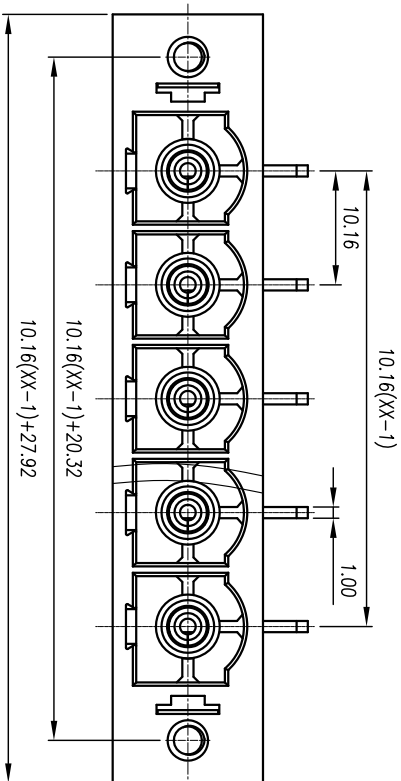
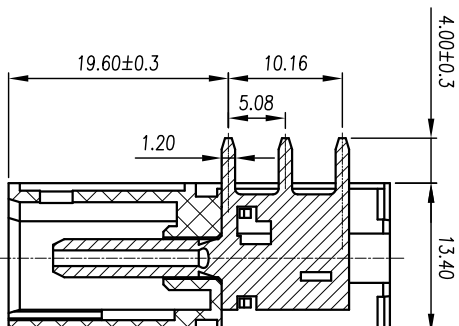
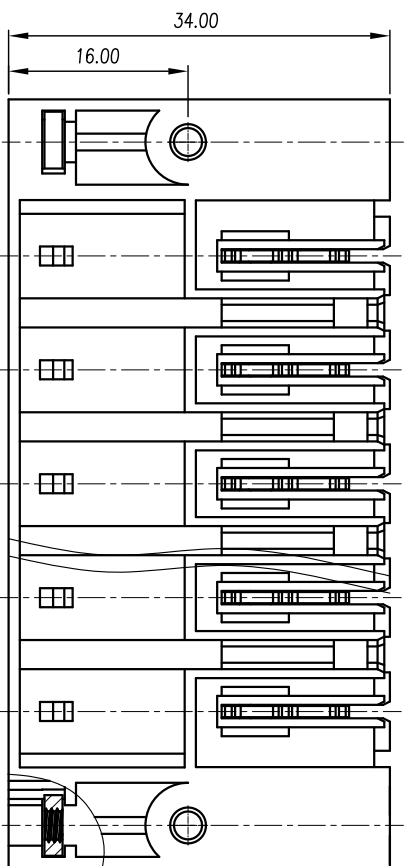




慈溪市万捷电子有限公司 CIXI WANJIE ELECTRONIC CO., LTD

产品规格书
THE SPEC SHEET



电气性能/Electrical

参考标准/Standard	UL	IEC
额定电压/Rated voltage	300V	1000V
额定电流/Rated current	55A	76A
接触电阻/Contact resistance	20mΩ	
绝缘电阻/Insulation resistance	500MΩ/DC500V	
耐电压/With standing voltage	AC 3500V/1 Min	
机械性能/Mechanical		
温度范围/Temp Range	-40°C~+105°C	
瞬时温度/MAX Soldering	+250°C, for 5 Sec	
尺寸/Dimensions		
间距/Pitch	10.16mm	
极数/Poles	02~16p	
材料及电镀/Material	PA66, UL94V-0	
塑件/Housing	Copper alloy, Sn plated	
焊脚/Pin header		

Variable range	tolerance	±0.1	±0.14	±0.19	±0.25	±0.32	±0.43	±0.57	±0.72	±0.88	±1.05	±1.25	0.5	0.025	0.06	0.12	0.4
	linear dimension(Tolerances Standard GB/T 14486-2008)	over 6 to	over 10 to	over 18 to	over 30 to	over 50 to	over 80 to	over 120 to	over 160 to	over 200 to	over 250 to	all	5 to	over 5 to	over 30 to	over 120 to	

单位/UNITS	mm	尺寸/SIZE	A4	比例/SCALE	3:2
名称/TITLE	慈溪市万捷电子有限公司 CIXI WANJIE ELECTRONIC CO., LTD				
第三视角/THIRD ANGLE PROJECTION					
名称/TITLE	WJ3EDGRM-10.16-XXP-1Y-00A				