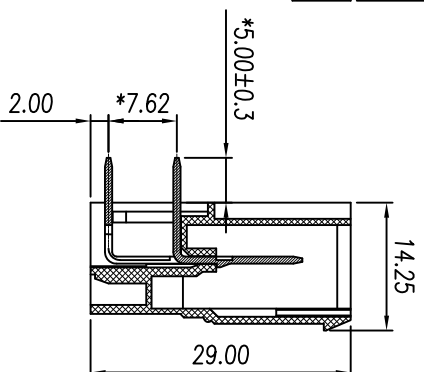
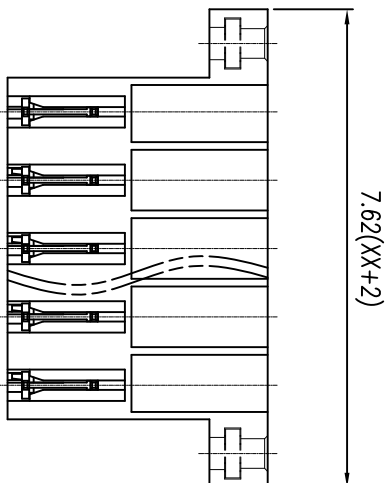
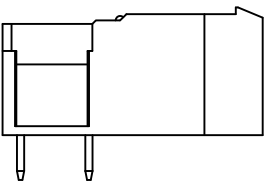
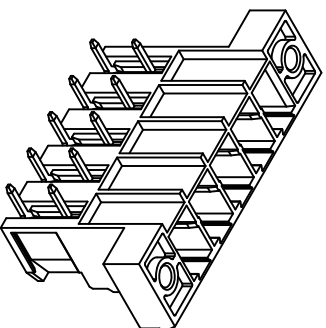
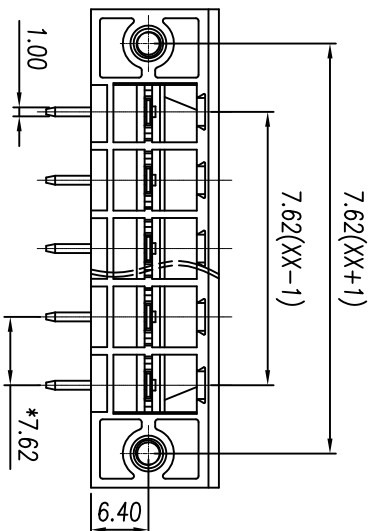
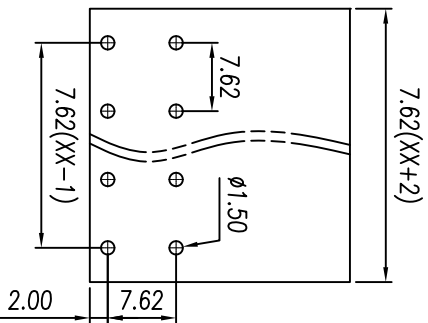




慈溪市万捷电子有限公司 CIXI WANJIE ELECTRONIC CO., LTD

产品规格书
THE SPEC SHEET



电气性能/Electrical

参考标准/Standard

额定电压/Rated voltage

额定电流/Rated current

接触电阻/Contact resistance

绝缘电阻/Insulation resistance

耐电压/With standing voltage

机械性能/Mechanical

温度范围/Temp.Range

瞬时温度/MAX Soldering

尺寸/Dimensions

间距/Pitch

极数/Poles

材料及电镀/Material

塑件/Housing

导电针/Conductor

螺母/Nut

UL

IEC

300V

600V

20A

32A

20mΩ

500MΩ/DC500V

AC 3000V/1 Min

-40°C~+105°C

+250°C, for 5 Sec

7.62mm

2-12P

PA66, UL94V-0

Red copper, Tin plated

Steel, Zn plated

linear dimension(Tolerances Standard GB/T 14486-2008)

tolerance	±0.1	±0.14	±0.19	±0.25	±0.32	±0.43	±0.57	±0.72	±0.88	±1.05	±1.25	0.5	0.025	0.06	0.12	0.4							
variable range	6 to	6 to	10 to	10 to	18 to	30 to	30 to	50 to	50 to	80 to	80 to	120 to	120 to	160 to	160 to	200 to	250 to	all to	5 to	5 to	30 to	30 to	120 to

第三视图 THIRD ANGLE PROJECTION



单位/UNITS mm 尺寸/SIZE A4 比例/SCALE 1:2.1
慈溪市万捷电子有限公司
CIXI WANJIE ELECTRONIC CO., LTD

名称/TITLE
WJ32EGRM-7.62-XXP-1YY-00A