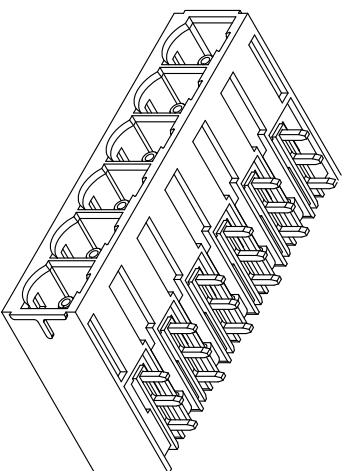
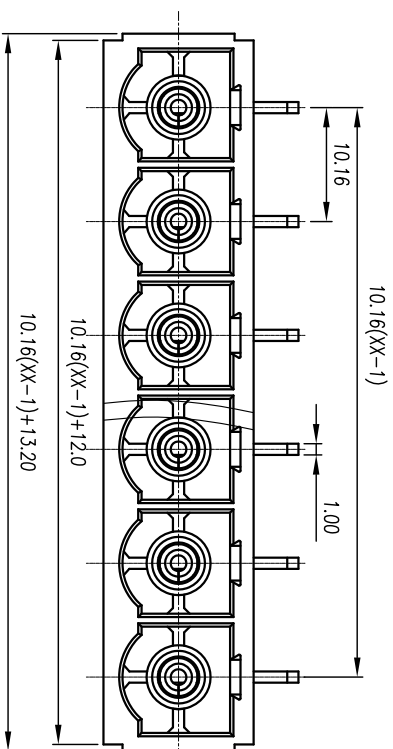
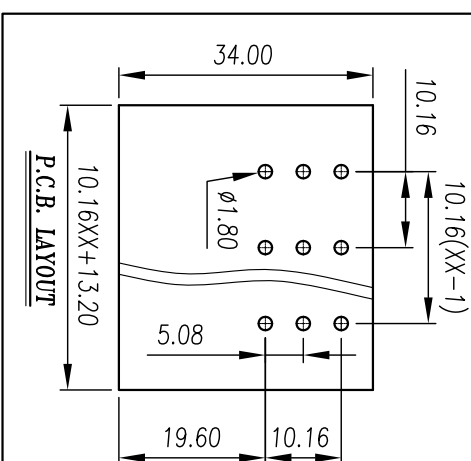
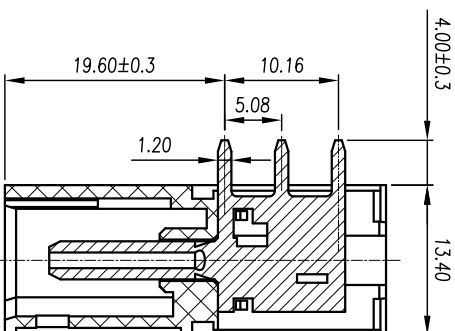
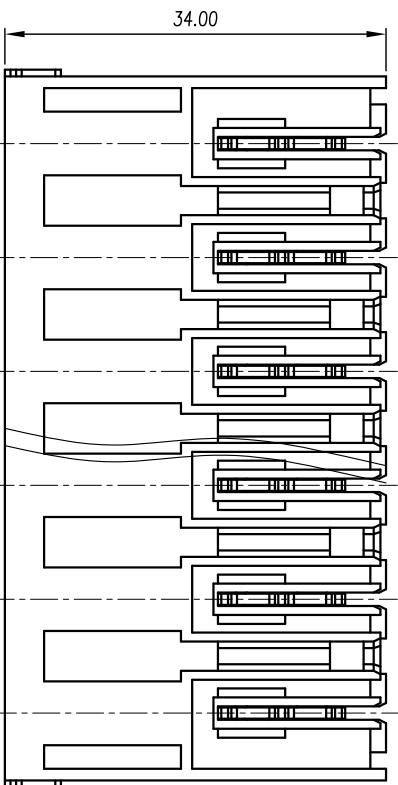




慈溪市万捷电子有限公司

CIXI WANJIE ELECTRONIC CO., LTD

产品规格书
THE SPEC SHEET



电气性能/Electrical

参考标准/Standard UL IEC
额定电压/Rated voltage 300V 1000V
额定电流/Rated current 55A 76A

接触电阻/Contact resistance 20mΩ

绝缘电阻/Insulation resistance 500MΩ/D.C.500V

耐电压/With standing voltage AC 3500V/1Min

机械性能/Mechanical

温度范围/Temp Range -40°C~+105°C

瞬时温度/MAX Soldering +250°C, for 5 Sec

尺寸/Dimensions

间距/Pitch 10.16mm

极数/Poles 02~18p

材料及电镀/Material PA66, UL94V-0

塑件/Housing Copper alloy, Sn plated

焊脚/Pin header

linear dimension(Tolerances Standard GB/T 14486-2008)

tolerance	±0.1	±0.14	±0.19	±0.25	±0.32	±0.43	±0.57	±0.72	±0.88	±1.05	±1.25	0.5	0.025	0.06	0.12	0.4
variable range	6 to	6 to	10 to	10 to	18 to	18 to	30 to	30 to	50 to	50 to	80 to	80 to	120 to	120 to	160 to	200 to
over	6	10	10	18	30	50	80	120	160	200	250	all	5	5	30	120

单位/UNITS mm 尺寸/SIZE A4 比例/SCALE 3:2



慈溪市万捷电子有限公司
CIXI WANJIE ELECTRONIC CO., LTD

第三视角/THIRD ANGLE PROJECTION



名称/TITLE WJ3EDGPRC-10.16-XXP-1YY-00A