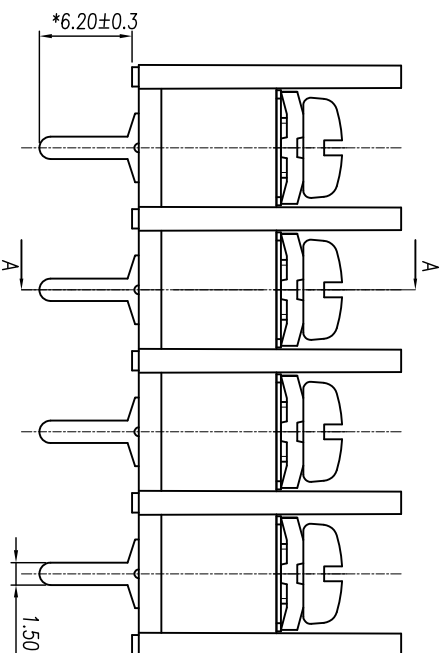
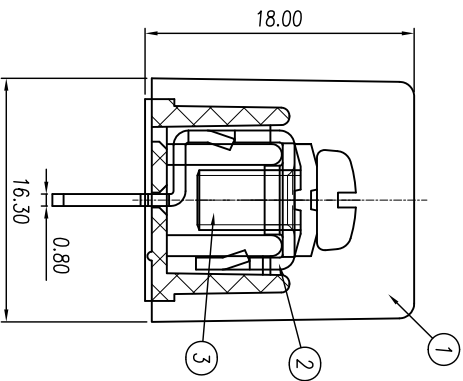
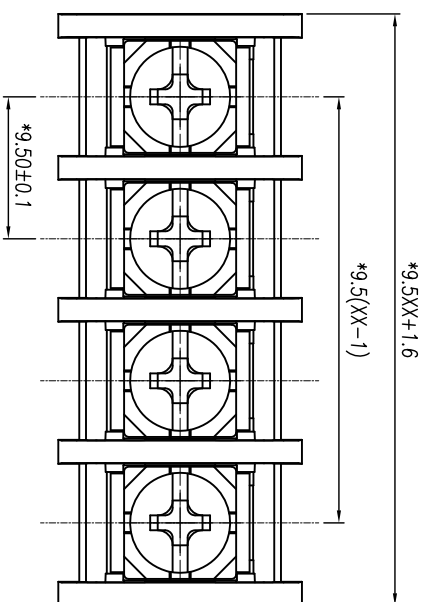
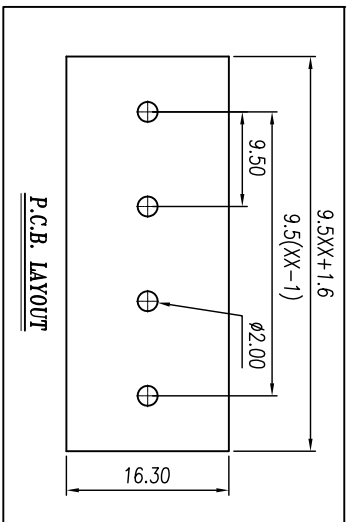




慈溪市万捷电子有限公司

CIXI WANJIE ELECTRONIC CO., LTD

产品规格书
THE SPEC SHEET



电气性能/Electrical

参考标准/Standard	UL	IEC
额定电压/Rated voltage	300V	450V
额定电流/Rated current	20A	24A
接触电阻/Contact resistance	20mΩ	
绝缘电阻/Insulation resistance	500MΩ	DC500V
使用线径/Wire range	22~12AWG	2.5mm ²
耐电压/With standing voltage	AC 2000V/1 Min	

机械性能/Mechanical

扭矩/Torque	1.2Nm(10.6Lb.in)
温度范围/Temp.Range	-40°C~+105°C
瞬时温度/MAX Soldering	+250°C, for 5 Sec

尺寸/Dimensions

间距/Pitch	9.5mm
极数/Poles	2~24P

材料及电镀/Material

塑件/Housing	PA66, UL94V-0
螺丝/Screws	M4.0 Steel Ni plated
焊脚/Pin header	Brass 0.8t, Tin plated

linear dimension(Tolerances Standard GB/T 14486-2008)	过/over	±0.14	过/over	±0.19	过/over	±0.25	过/over	±0.32	过/over	±0.43	过/over	±0.57	过/over	±0.72	过/over	±0.88	过/over	±1.05	过/over	±1.25	过/over	0.5	过/over	0.025	过/over	0.06	过/over	0.12	过/over	0.4
variable range	6 to 10	10 to 18	18 to 30	30 to 50	50 to 80	80 to 120	120 to 160	160 to 200	200 to 250	250 to 300	300 to 350	350 to 400	400 to 450	450 to 500	500 to 550	550 to 600	600 to 650	650 to 700	700 to 750	750 to 800	800 to 850	850 to 900	900 to 950	950 to 1000	1000 to 1050	1050 to 1100	1100 to 1150	1150 to 1200	1200 to 1250	
tolerance	±0.1	±0.14	±0.19	±0.25	±0.32	±0.43	±0.57	±0.72	±0.88	±1.05	±1.25	0.5	0.025	0.06	0.12	0.4														

单位/UNITS	mm	尺寸/SIZE	A4	比例/SCALE	6:3
名称/TITLE	慈溪市万捷电子有限公司 CIXI WANJIE ELECTRONIC CO., LTD				
第三视角/THIRD ANGLE PROJECTION					
名称/TITLE	WJ45C-XXP-1YY-00A				