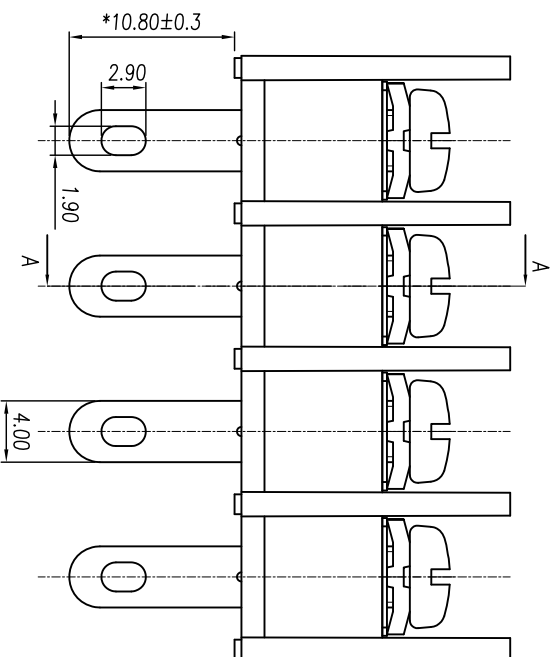
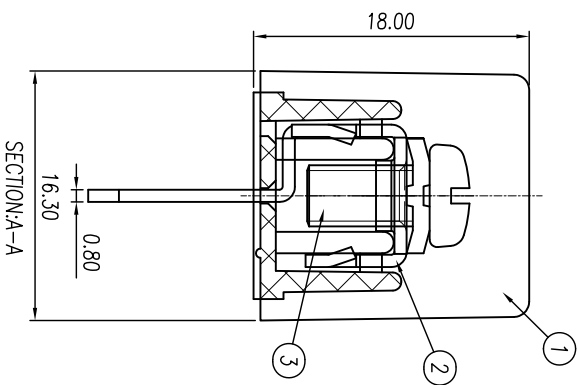
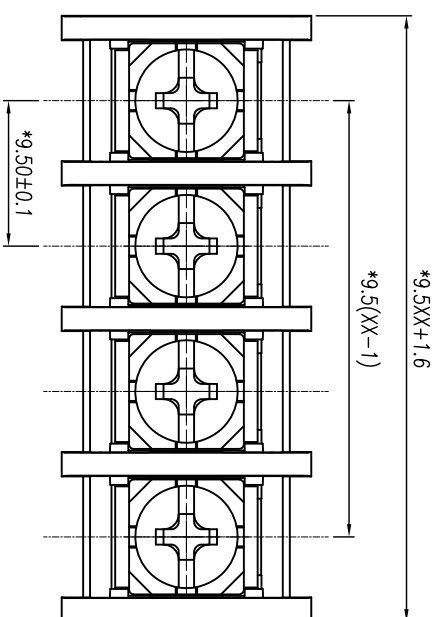
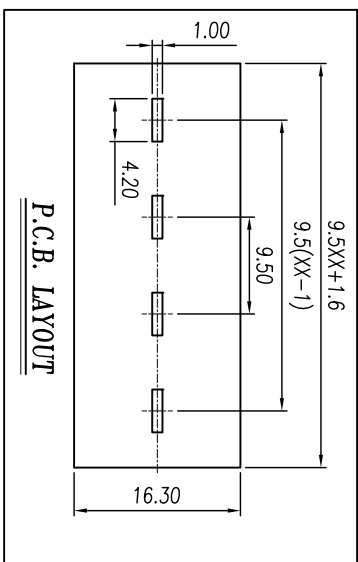




慈溪市万捷电子有限公司 CIXI WANJIE ELECTRONIC CO., LTD

产品规格书
THE SPEC SHEET



电气性能/Electrical

参考标准/Standard	UL	IEC
额定电压/Rated voltage	300V	450V
额定电流/Rated current	20A	24A
接触电阻/Contact resistance	20mΩ	
绝缘电阻/Insulation resistance	500MΩ/DC500V	

机械性能/Mechanical

使用线径/Wire range	22~12AWG	2.5mm ²
耐电压/Wrt standing voltage	AC 2000V/1 Min	
扭矩/Torque	1.2Nm(10.6Lb.in)	
温度范围/Temp.Range	-40°C~+105°C	
瞬时温度/MAX Soldering	+250°C, for 5 Sec	

尺寸/Dimensions

间距/Pitch	9.5mm	
极数/Poles	2~24P	
材质及电镀/Material	PA66, UL94V-0	
塑件/Housing	M4, Steel Ni plated	
螺丝/Screws	Brass0.8t, Tin plated	
焊脚/Pin header		

tolerance	±0.1	±0.14	±0.19	±0.25	±0.32	±0.43	±0.57	±0.72	±0.88	±1.05	±1.25	0.5	0.025	0.06	0.12	0.4
	over 6	over 10	over 18	over 30	over 50	over 80	over 120	over 160	over 200	over 250	all	to 5	to 30	to 120		
variable range	to 6	to 10	to 18	to 30	to 50	to 80	to 120	to 160	to 200	to 250		to 5	to 30	to 120		
linear dimension(Tolerances Standard GB/T 14486-2008)																

单位/UNITS	mm	尺寸/SIZE	A4	比例/SCALE	2:1
名称/TITLE	第三视图/THIRD ANGLE PROJECTION				
慈溪市万捷电子有限公司 CIXI WANJIE ELECTRONIC CO., LTD	WJ45H-XXP-1YY-00A				