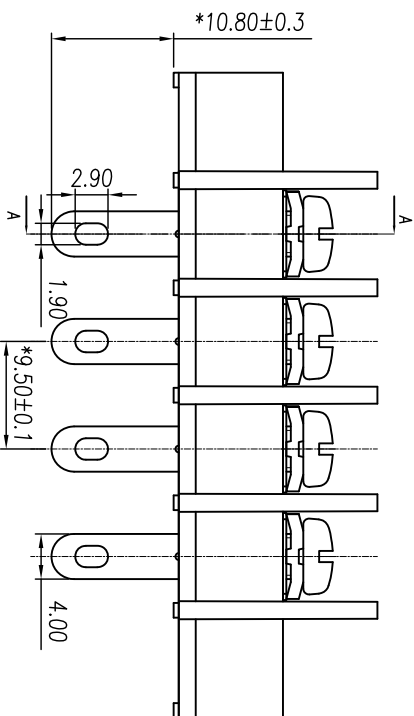
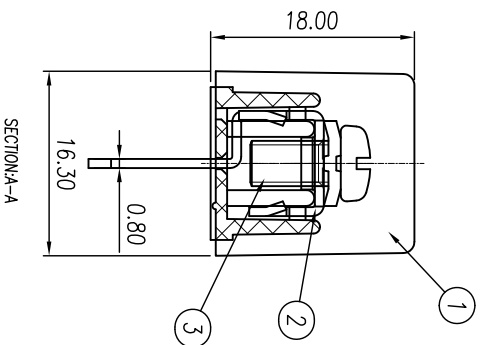
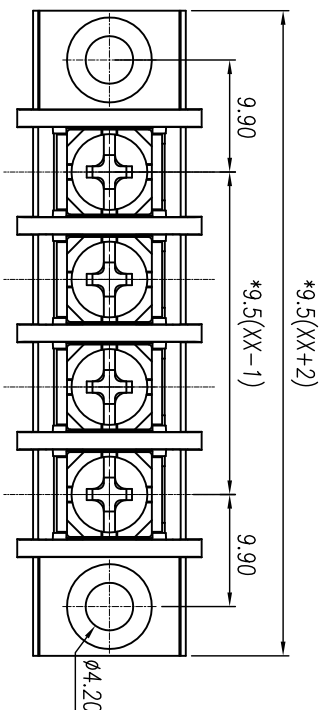
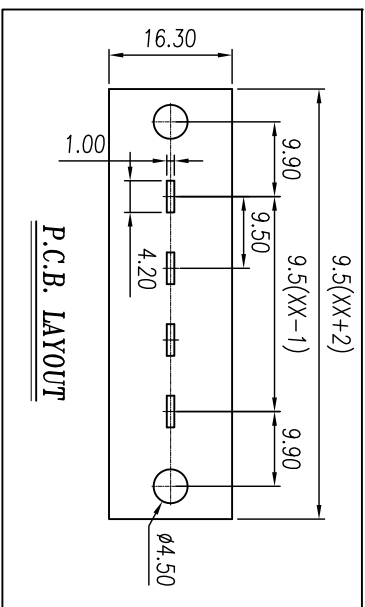




# 慈溪市万捷电子有限公司 CIXI WANJIE ELECTRONIC CO., LTD

产品规格书  
THE SPEC SHEET



### 电气性能/Electrical

参考标准/Standard	UL	IEC
额定电压/Rated voltage	300V	450V
额定电流/Rated current	20A	24A
接触电阻/Contact resistance	20mΩ	
绝缘电阻/Insulation resistance	500MΩ /DC500V	
使用线径/Wire range	22~12AWG	2.5mm <sup>2</sup>
耐电压/With standing voltage	AC 2000V/1 Min	

### 机械性能/Mechanical

扭 矩/Torque	1.2Nm(10.6Lb.in)
温度范围/Temp. Range	-40°C~+105°C
瞬时温度/MAX Soldering	+250°C, for 5 Sec

### 尺寸/Dimensions

间距/Pitch	9.5mm
极数/Poles	2-22P

### 材质及电镀/Material

塑件/Housing	PA66, UL94V-0
螺丝/Screws	M4, 0 Steel Ni plated
焊脚/Pin header	Brass 0.8t, Tin plated

linear dimension(Tolerances Standard GB/T 14486-2008)

tolerance	±0.1	±0.14	±0.19	±0.25	±0.32	±0.43	±0.57	±0.72	±0.88	±1.05	±1.25	0.5	0.025	0.06	0.12	0.4
variable range	6 to 10	6 to 10	10 to 18	18 to 30	30 to 50	50 to 80	80 to 120	120 to 160	160 to 200	200 to 250	250 to 300	5 to 120	5 to 30	30 to 120	120 to 200	200 to 300
tolerance	±0.1	±0.14	±0.19	±0.25	±0.32	±0.43	±0.57	±0.72	±0.88	±1.05	±1.25	0.5	0.025	0.06	0.12	0.4

第三视图/THIRD ANGLE PROJECTION



名称/TITLE  
WJ45HM-XXP-1YY-00A

单位/UNITS mm  
尺寸/SIZE A4  
比例/SCALE 2:1  
慈溪市万捷电子有限公司  
CIXI WANJIE ELECTRONIC CO., LTD

