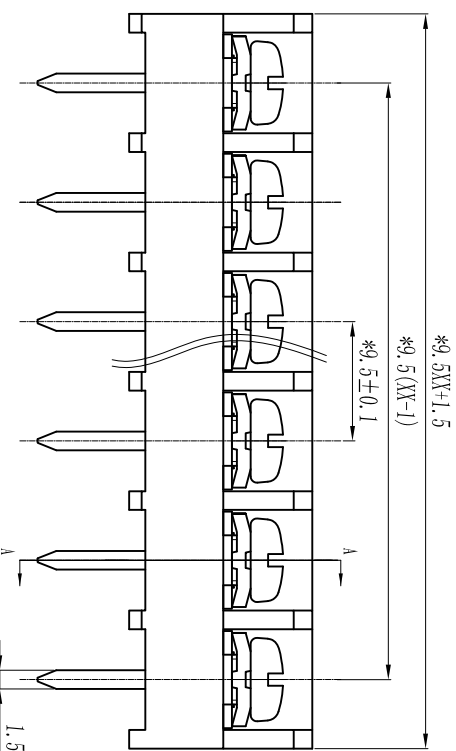
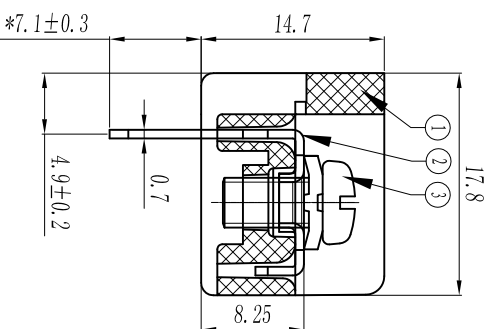
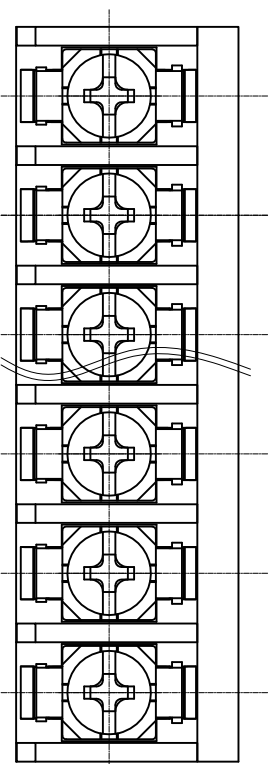
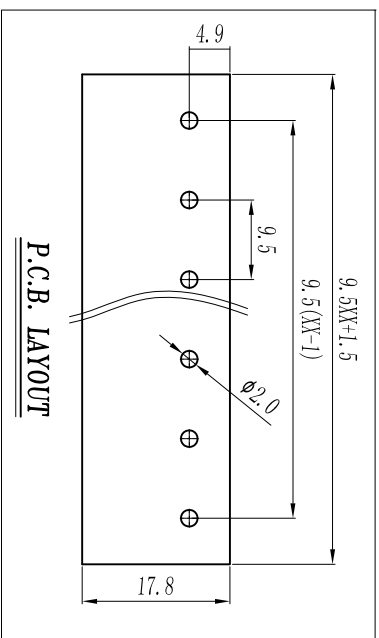




慈溪市万捷电子有限公司 CIXI WANJIE ELECTRONIC CO., LTD

产品规格书
THE SPEC SHEET



SECTION A-A

	linear dimension(Tolerances Standard GB/T 14486-2008)												≡	—	□	//	⊥
tolerance	±0.1	±0.14	±0.19	±0.25	±0.32	±0.43	±0.57	±0.72	±0.88	±1.05	±1.25	0.5	0.025	0.06	0.12	0.4	
variable range	6 to	6 to	10 to	10 to	18 to	18 to	30 to	30 to	50 to	50 to	80 to	80 to	120 to	120 to	200 to	250 to	
over	6	10	10	18	30	50	80	120	160	200	250	all	5	30	120		

电气性能/Electrical

参考标准/Standard	UL	IEC
额定电压/Rated voltage	300V	450V
额定电流/Rated current	20A	24A
接触电阻/Contact resistance	20mΩ	
绝缘电阻/Insulation resistance	500MΩ/DC500V	
使用线径/Wire range	22-12AWG	2.5mm ²
耐电压/With standing voltage	AC 2000V/1 Min	

机械性能/Mechanical

扭矩/Torque	1.2Nm(10.6lb.in)
温度范围/Temp.Range	-40°C~+105°C
瞬时温度/MAX Soldering	+250°C, for 5 Sec

尺寸/Dimensions

间距/Pitch	9.5mm
极数/Poles	2~20p

材料及电镀/Material

塑件/Housing	PA66, UL94V-0
螺丝/Screws	M4.0 Steel Ni plated
焊脚/Pin header	Brass 0.7t Tin plated

单位/UNITS mm 尺寸/SIZE A4 比例/SCALE 5:3 第三视角/THIRD ANGLE PROJECTION



慈溪市万捷电子有限公司
CIXI WANJIE ELECTRONIC CO., LTD

名称/
TITLE

WJ46-XXP-1YY-00A