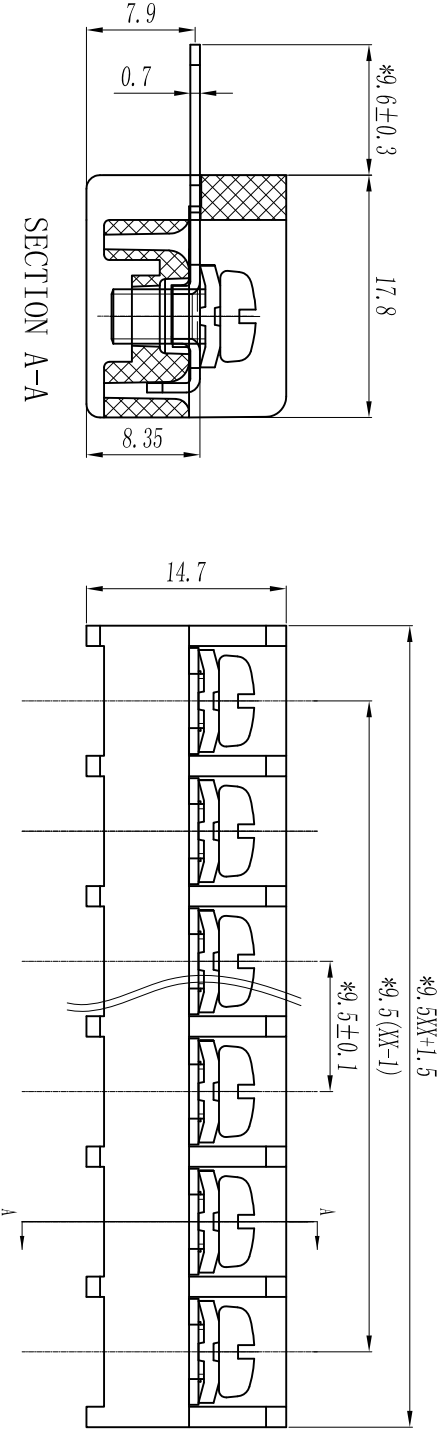
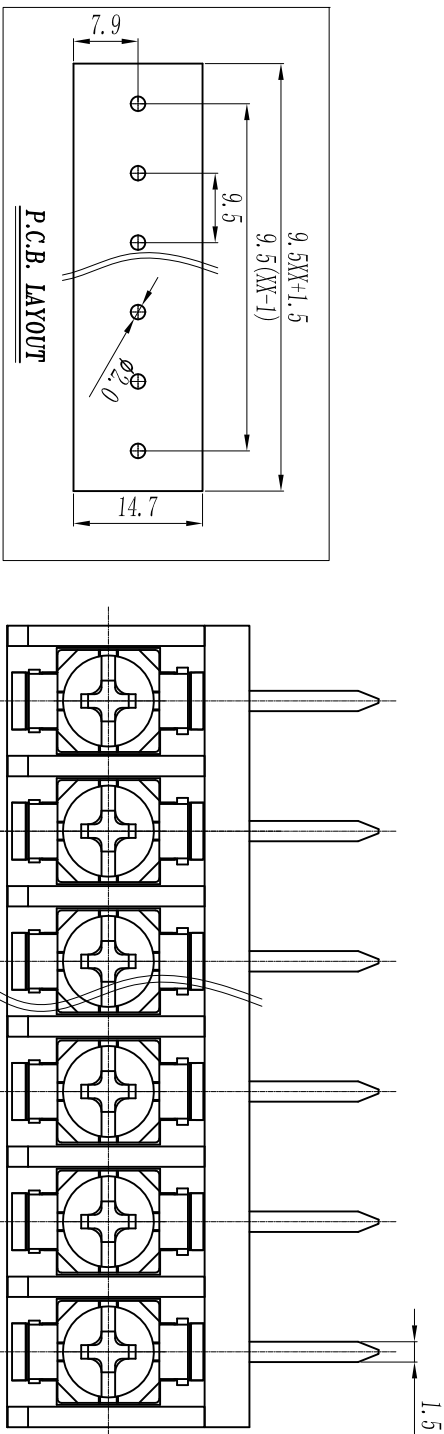




慈溪市万捷电子有限公司 CIXI WANJIE ELECTRONIC CO., LTD

产品规格书
THE SPEC SHEET



tolerance	±0.1	±0.14	±0.19	±0.25	±0.32	±0.43	±0.57	±0.72	±0.88	±1.05	±1.25	0.5	0.025	0.06	0.12	0.4
variable range	6 to 10	6 to 10	10 to 18	18 to 30	30 to 50	50 to 80	80 to 120	120 to 160	160 to 200	200 to 250	250 to 250	all	5 to 5	5 to 30	30 to 120	120 to 120
linear dimension (Tolerances Standard GB/T 14486-2008)	over	over	over	over	over	over	over	over	over	over	over	≡	—	□	//	⊥

电气性能/Electrical	参考标准/Standard	UL	IEC
额定电压/Rated voltage		300V	450V
额定电流/Rated current		20A	24A
接触电阻/Contact resistance		20mΩ	
绝缘电阻/Insulation resistance		500MΩ/DC500V	
使用线径/Wire range		22~12AWG	2.5mm ²
耐电压/With standing voltage		AC 2000V/1 Min	
机械性能/Mechanical			
扭矩/Torque		1.2Nm (10.6lb.in)	
温度范围/Temp. Range		-40°C~+105°C	
瞬时温度/MAX Soldering		+250°C, for 5 Sec	
尺寸/Dimensions			
间距/Pitch		9.5mm	
极数/Poles		2-26p	
材料及电镀/Material		PA66, UL94V-0	
塑件/Housing		M4.0 Steel Ni plated	
螺丝/Screws		Brass 0.7i Tin plated	
焊脚/Pin header			

单位/UNITS	mm	尺寸/SIZE	A4	比例/SCALE	2:1
 慈溪市万捷电子有限公司 CIXI WANJIE ELECTRONIC CO., LTD					

名称/TITLE	第三视图/THIRD ANGLE PROJECTION
WJ46A-XXP-1YY-00A	